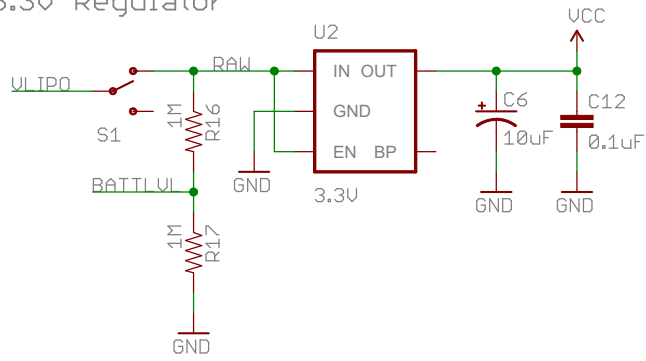


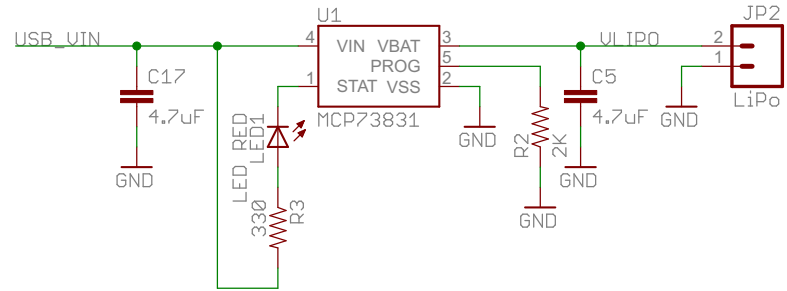
Released under the Creative Commons Attribution Share-Alike 3.0 License
<http://creativecommons.org/licenses/by-sa/3.0>
 Design by: C. Taylor and N. Seidle

TITLE: Logomatic-v26		SFE
Document Number:		REV:
Date: 10/11/2010 12:22:12 PM	Sheet: 1/2	

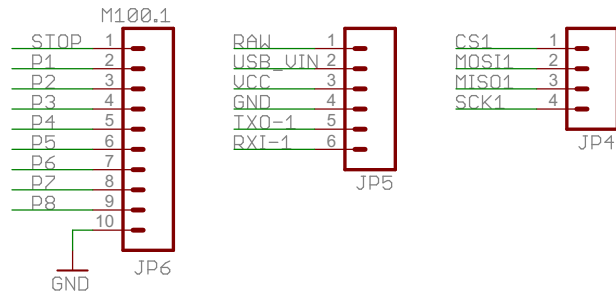
3.3V Regulator



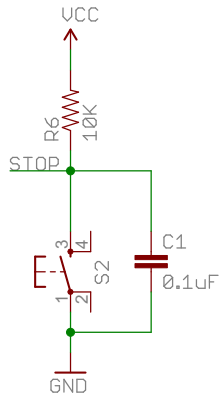
Charge Circuit



Breakouts



Stop Function



TITLE: Logomatic-v26

Document Number:

REV:

Date: 10/11/2010 12:22:12 PM

Sheet: 2/2