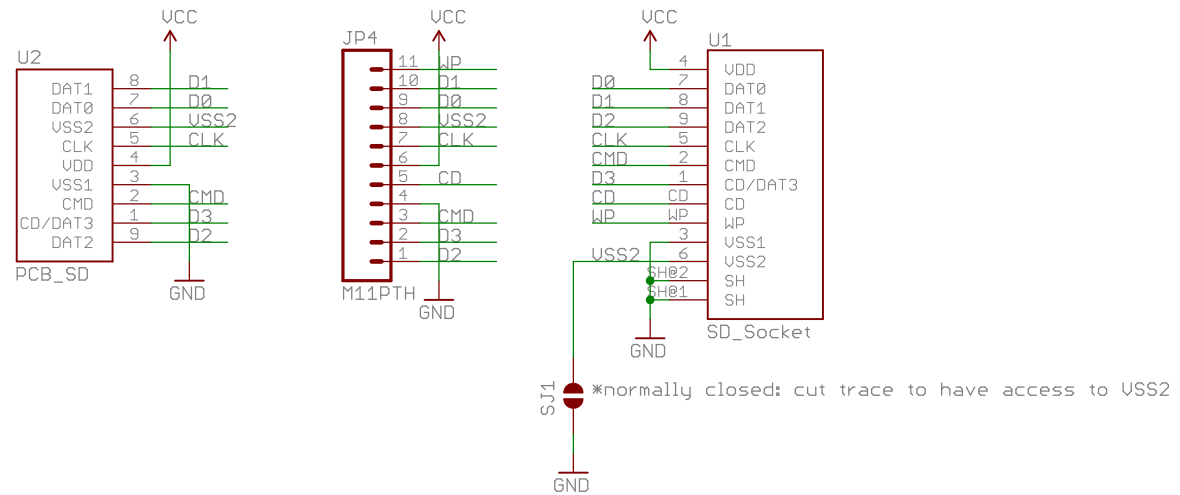


Revision Notes:
 v20: changed to a different SD socket
 v21: broke out more pins



Released under the Creative Commons Attribution Share-Alike 3.0 License
<http://creativecommons.org/licenses/by-sa/3.0>
 Design by: A.Weiss



⊗		
⊗		
TITLE: SD-Sniffer-v21		SFE SFE
Document Number:		REV:
Date: 8/20/2012 1:41:14 PM		Sheet: 1/1