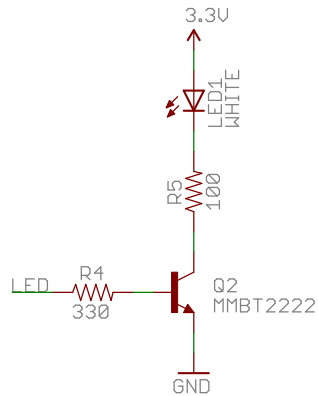
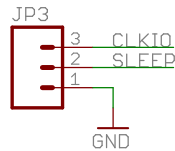
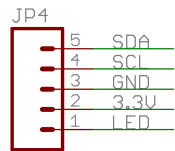
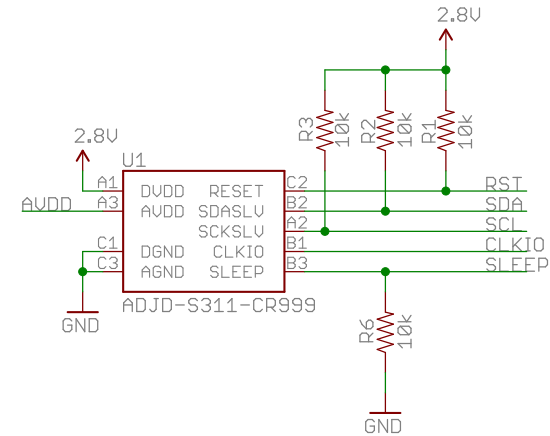
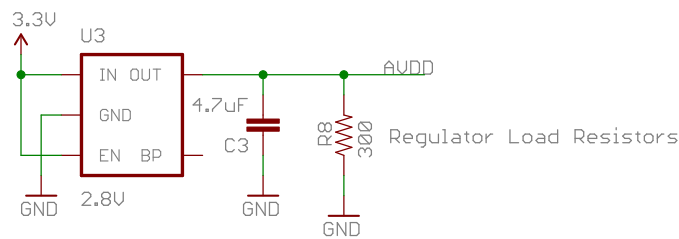
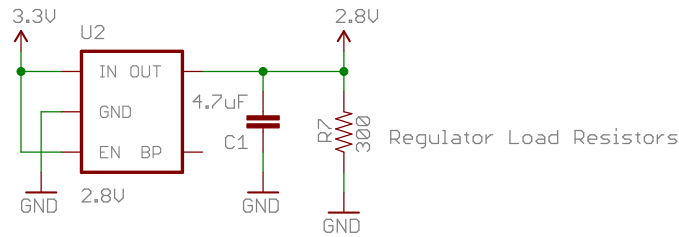


Changes to S311 v1.0:  
 Decrease R4 to 330  
 Change pull ups to 2.8U  
 Add load resistors to regulators  
 Change to S311 BGA package  
 Updated S311 schematic component



TITLE: ADJD-S311_Breakout-v10		SFE	SFE
Document Number:			REV:
Date: 4/27/2011 1:06:11 PM			Sheet: 1/1

Released under the Creative Commons Attribution Share-Alike 3.0 License  
<http://creativecommons.org/licenses/by-sa/3.0>  
 Design by: N. Seidle

