

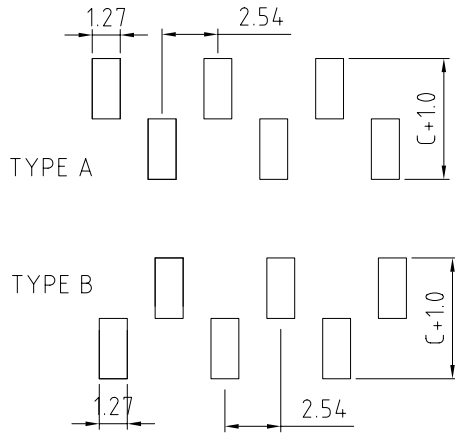
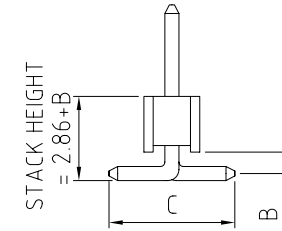
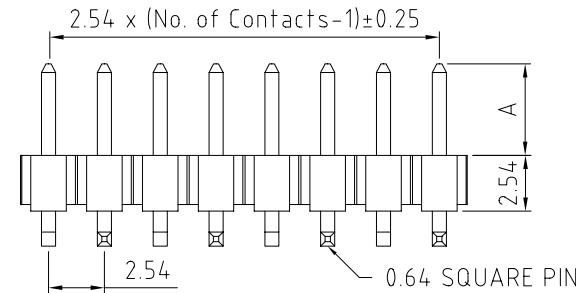
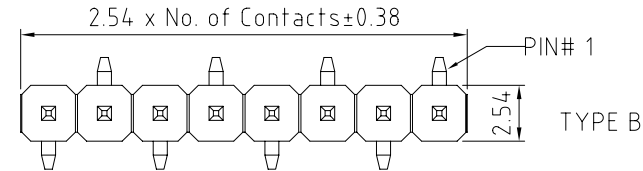
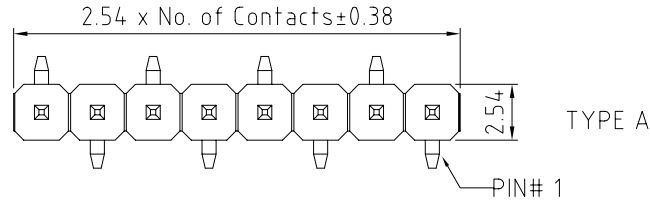
BB02-HY:- 2.54MM (0.1") PIN HEADER, SINGLE ROW, STRAIGHT, SMT TYPE, 2 TO 40 CONTACTS

SPECIFICATIONS

CURRENT RATING	3 AMP
INSULATOR RESISTANCE	1000 MEGOHMS MIN.
CONTACT RESISTANCE	20 MILLIOHMS MAX
DIELECTRIC WITHSTANDING	AC 600 V
OPERATING TEMPERATURE	-40°C TO +105°C
CONTACT MATERIAL	BRASS
INSULATOR MATERIAL	POLYESTER UL 94V-0 STANDARD NYLON-6T
PLATING	GOLD, TIN, OR SELECTIVE OVER 30-50U" NICKEL
SOLDERABILITY	IR REFLOW: 260°C FOR 10 SEC WAVE: 230°C FOR 5-10 SEC MANUAL SOLDER: 350°C FOR 3-5 SEC

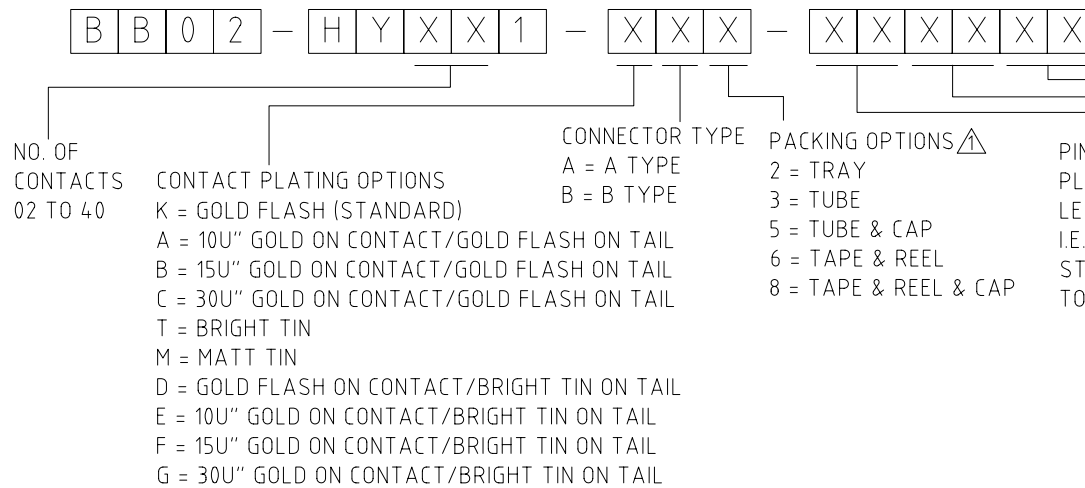
MATES WITH: -

BB02-JB	BB02-JJ	BB02-KR
BB02-JC	BB02-JL	
BB02-JE	BB02-JR	
BB02-JF	BB02-JS	
BB02-JG	BB02-JT	



RECOMMENDED PCB LAYOUT (TOLERANCE: ±0.05)

HOW TO ORDER



PIN LENGTH C (1/10mm)
PLEASE SPECIFY PIN LENGTH REQUIRED
I.E. 2.5mm = 25
STANDARD = 51
TOL.: ±0.3MM

PIN LENGTH B (1/10mm)
PLEASE SPECIFY PIN LENGTH REQUIRED
I.E. 2.5mm = 25
STANDARD = 13
MINIMUM = 05
TOL.: ±0.25MM

REV.	DATE & DRN
10.	16/07/06 - NIR RELEASE
11.	22/05/06 - NYW
12.	26/07/06 - NYW
13.	15/07/08 - CHC
14.	ADD DIMENSION OF B
15.	20/07/09 - NYW

Scale:	4:1
Drawn:	NJR
App'd:	XXXX
Date:	20 JAN '09

THIRD ANGLE	
Title	PIN HEADER
Revision:	15

Unstated Tolerances:	X ± 0.30
	X ± 0.25
	XX ± 0.15
	XXX ± 0.10

Material	SEE NOTE
	NOT TO SCALE
Unit:	mm



THIS DRAWING IS CONFIDENTIAL AND MUST NOT BE COPIED OR DISCLOSED WITHOUT WRITTEN CONSENT

Type:	BB02-HY
BB02-HY	
Drawing Number:	
Sheet 1	of 1
Drawing	E and OE