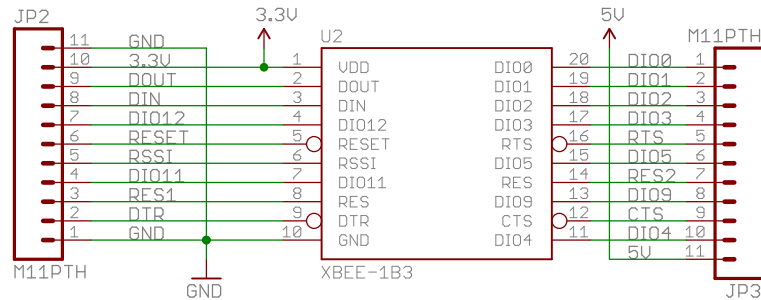
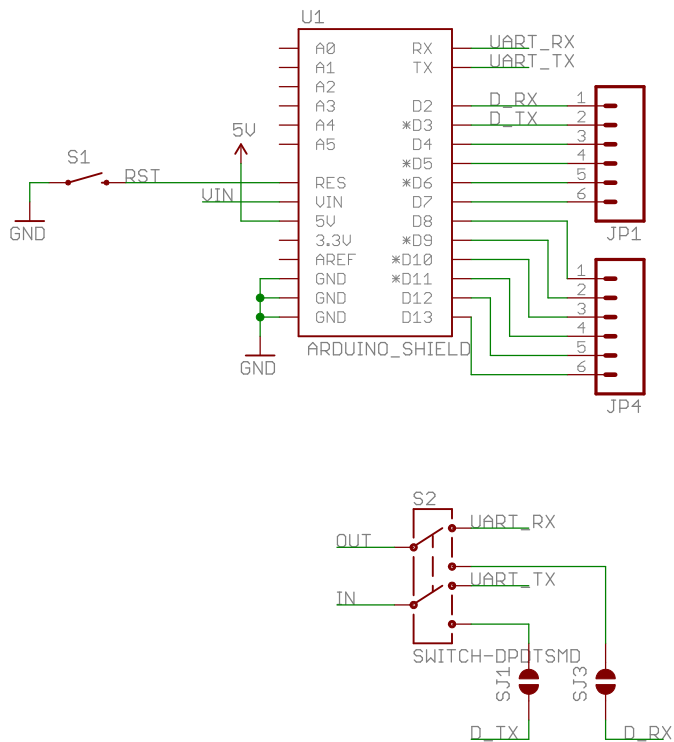
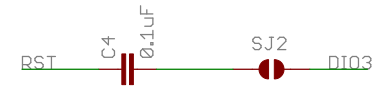
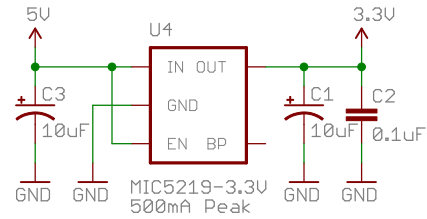
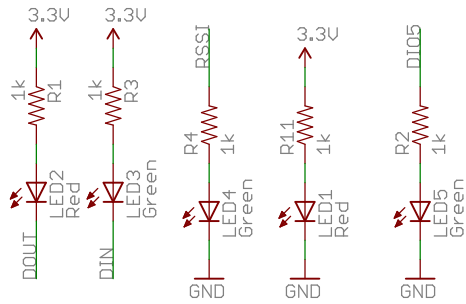


v14- Changed regulator to MIC5219 500mA device (M. Hord)
 -added MOSFET level shifter instead of series reverse diode



Released under the Creative Commons Attribution Share-Alike 3.0 License
<http://creativecommons.org/licenses/by-sa/3.0>
 Design by: A.Weiss



⊗ ⊗			
TITLE: xbeeshield-v14		SFE	SFE
Document Number:			REV:
Date: 11/26/2012 2:40:32 PM		Sheet: 1/1	