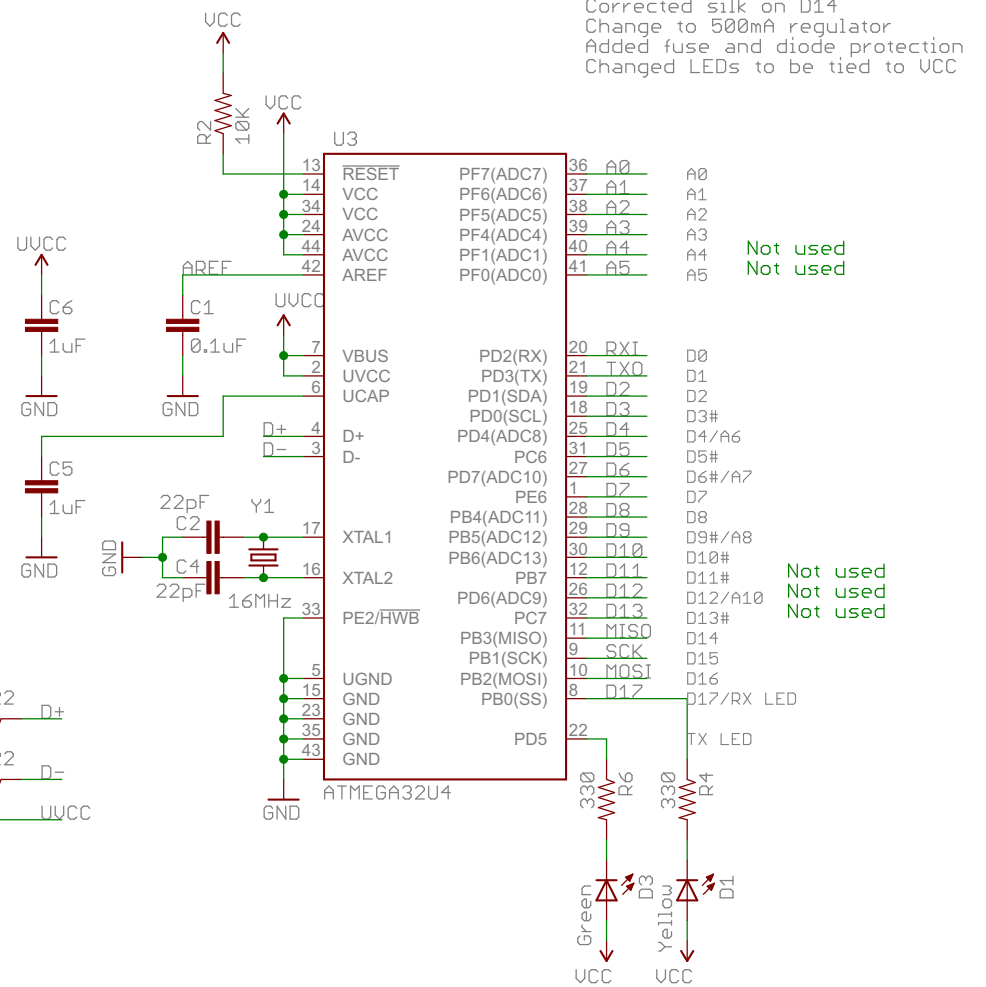
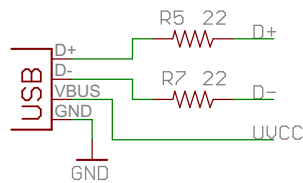
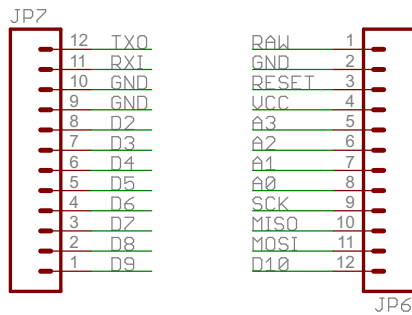


Board is marked with combination of resonator frequency and regulator voltage.



Released under the Creative Commons Attribution Share-Alike 3.0 License
<http://creativecommons.org/licenses/by-sa/3.0>

Design by:
Original Arduino Mini Design by Team Arduino
Arduino Pro Mini Design by Spark Fun Electronics
Pro Micro Design by Spark Fun Electronics



⊗	
⊗	
TITLE: Pro-Micro-v11	SFE
Document Number:	REV:
Date: not saved!	Sheet: 1/1