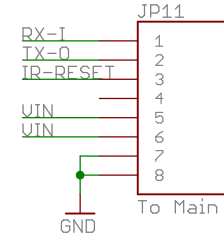
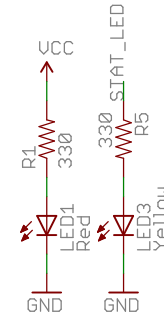
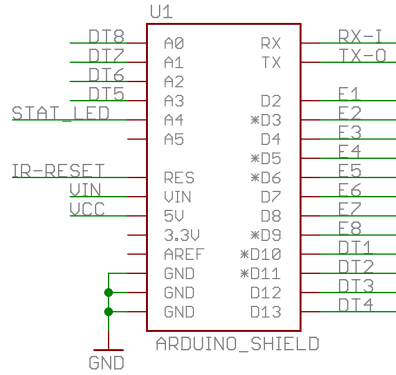
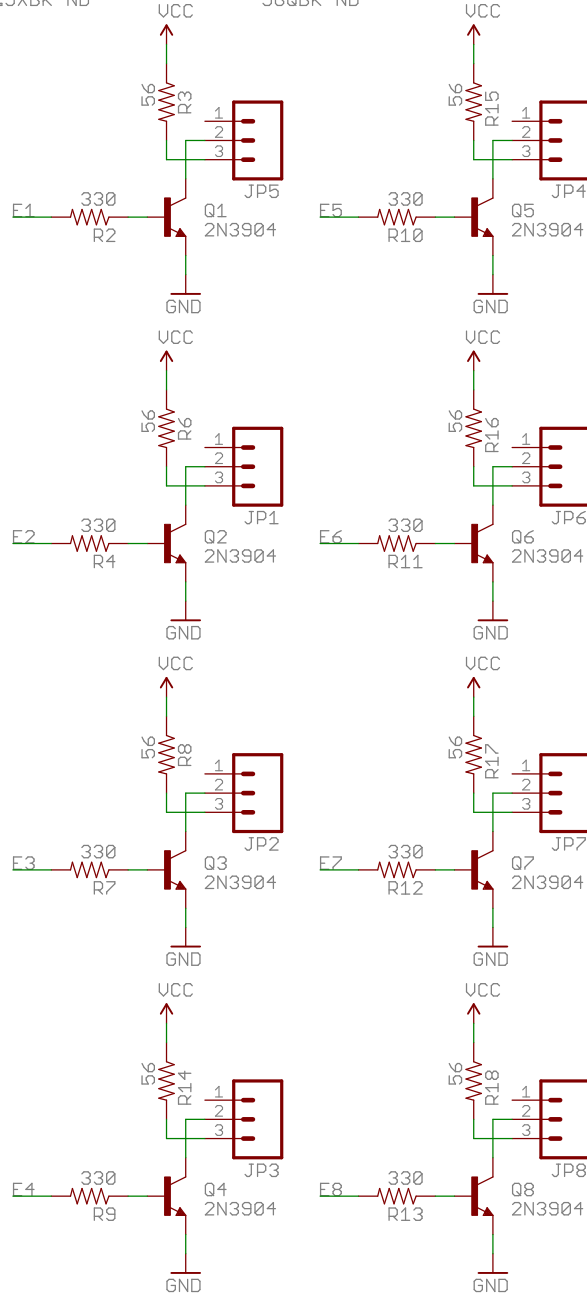


IR Limiting Resistors

$(5-1.5)=0.05 \times R$   
 $R=70$   
 $(0.05)^2 \times 2 \times 70 = 0.175W$   
 71.5XBK-ND

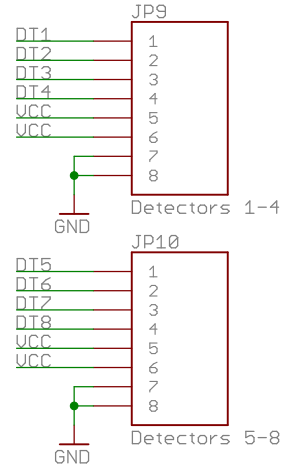
$(5-1.5-0.7)=0.05 \times R$   
 $R=56$   
 $(0.05)^2 \times 2 \times 56 = 0.14W$   
 56QBK-ND



nathan@sparkfun.com

Changes on v1.1:  
 Updated silk with cable colors  
 Added remote reset ability  
 Add NPN Transistors  
 Driving IR LEDs at 50mA

Changes on v1.2:  
 Correctly re-arranged NPN circuit  
 Recalculated resistor to include 0.7V NPN drop  
 Added OpenSource Hardware logo



open hardware

TITLE: Ilumitunes-IR-String-Controller-v1.2SFE	
Document Number:	REV:
Date: 5/1/2011 10:22:13 AM	Sheet: 1/1