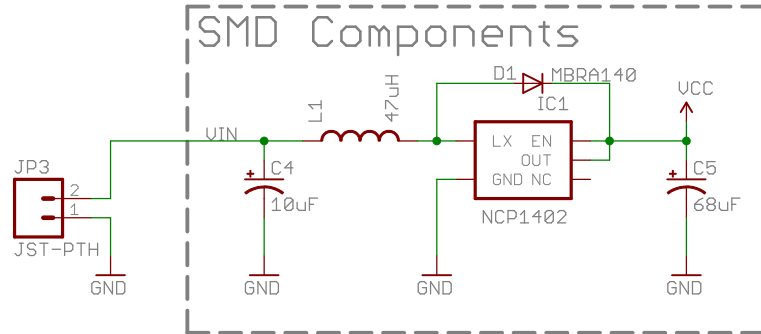
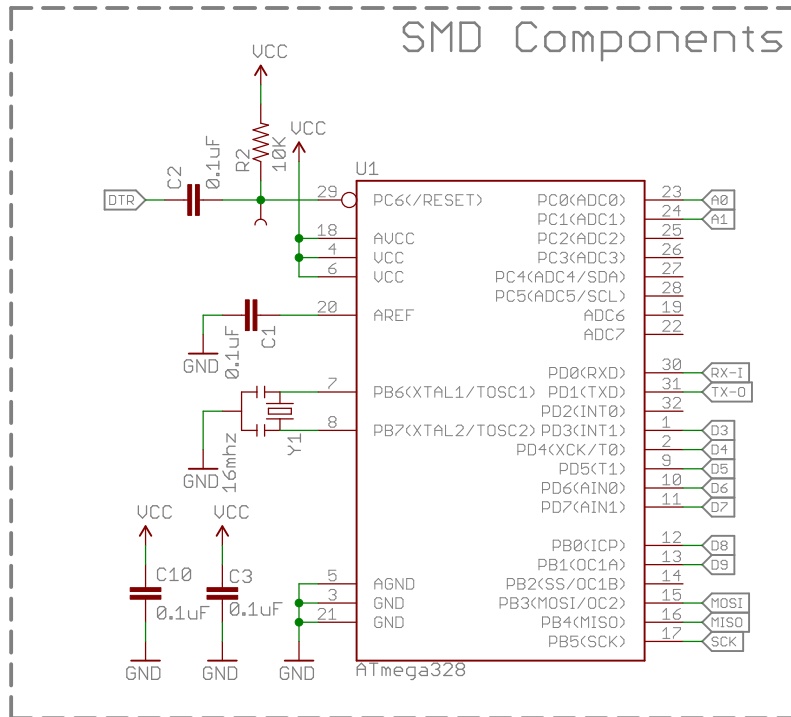


5V Boost Circuit

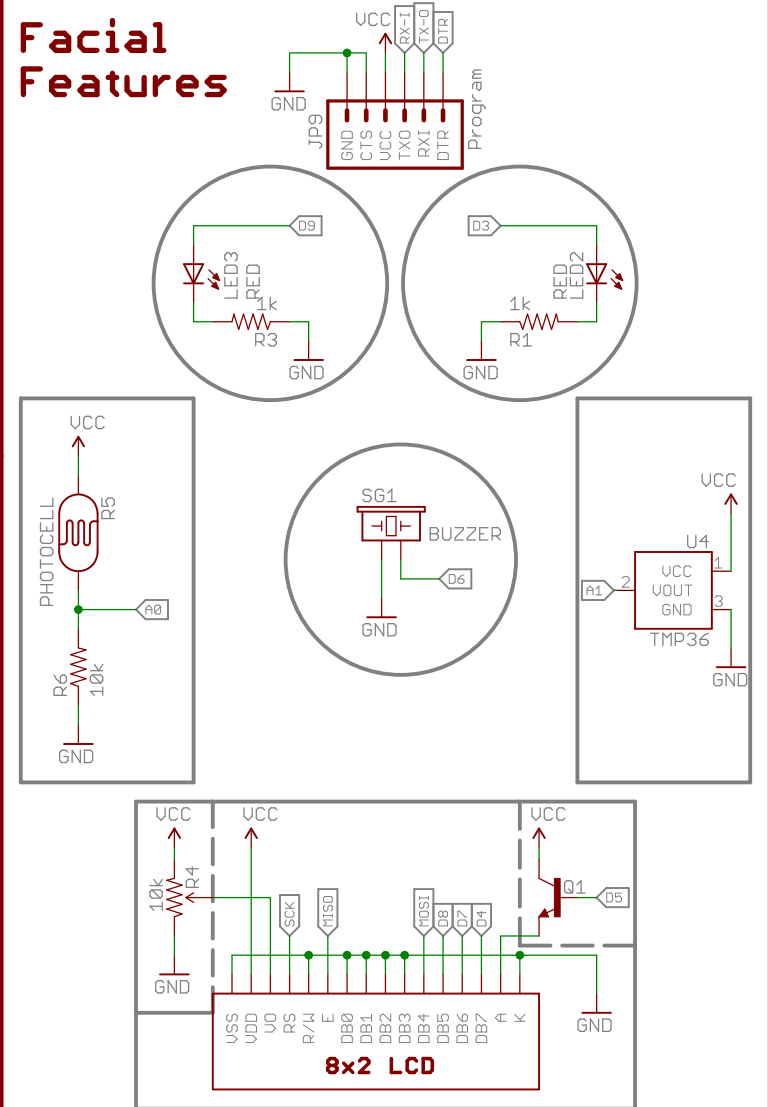


ATmega328



Released under the Creative Commons Attribution Share-Alike 3.0 License
<http://creativecommons.org/licenses/by-sa/3.0>
 Design by: Jim Lindblom

Facial Features



⊗ ⊗		○○○	
TITLE: Robot-Face-Kit-v12-PrettySch			SFE
Document Number:			REV:
Date: 6/11/2012 4:16:38 PM			Sheet: 1/1