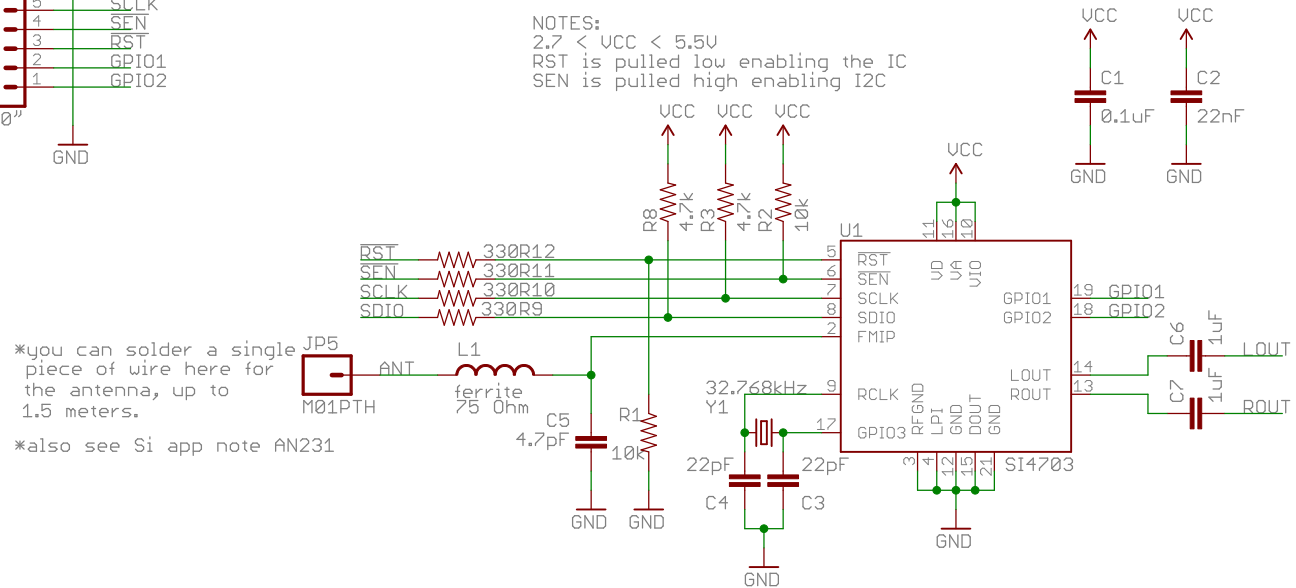


NOTES:
 $2.7 < UCC < 5.5V$
 RST is pulled low enabling the IC
 SEN is pulled high enabling I2C



*you can solder a single JP5
 piece of wire here for
 the antenna, up to
 1.5 meters.

*also see Si app note AN231



Released under the Creative Commons Attribution Share-Alike 3.0 License
<http://creativecommons.org/licenses/by-sa/3.0>
 Design by: A. Weiss

⊗		
⊗		
TITLE: Si470x-breakout-v13		SFE
Document Number:		REV:
Date: 7/5/2012 3:14:22 PM		Sheet: 1/1