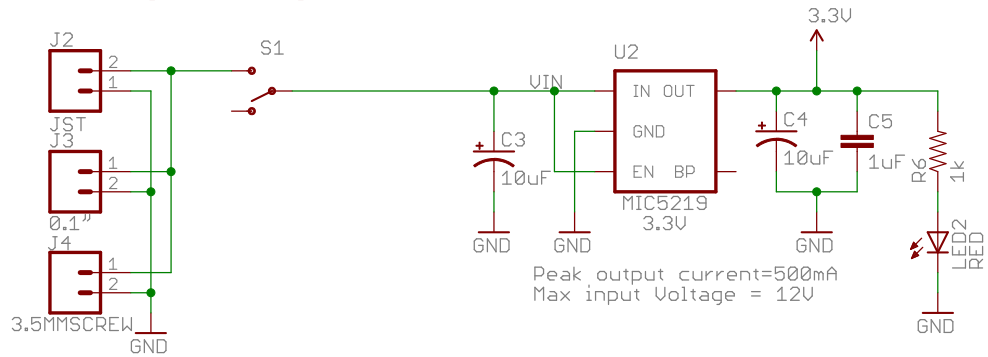
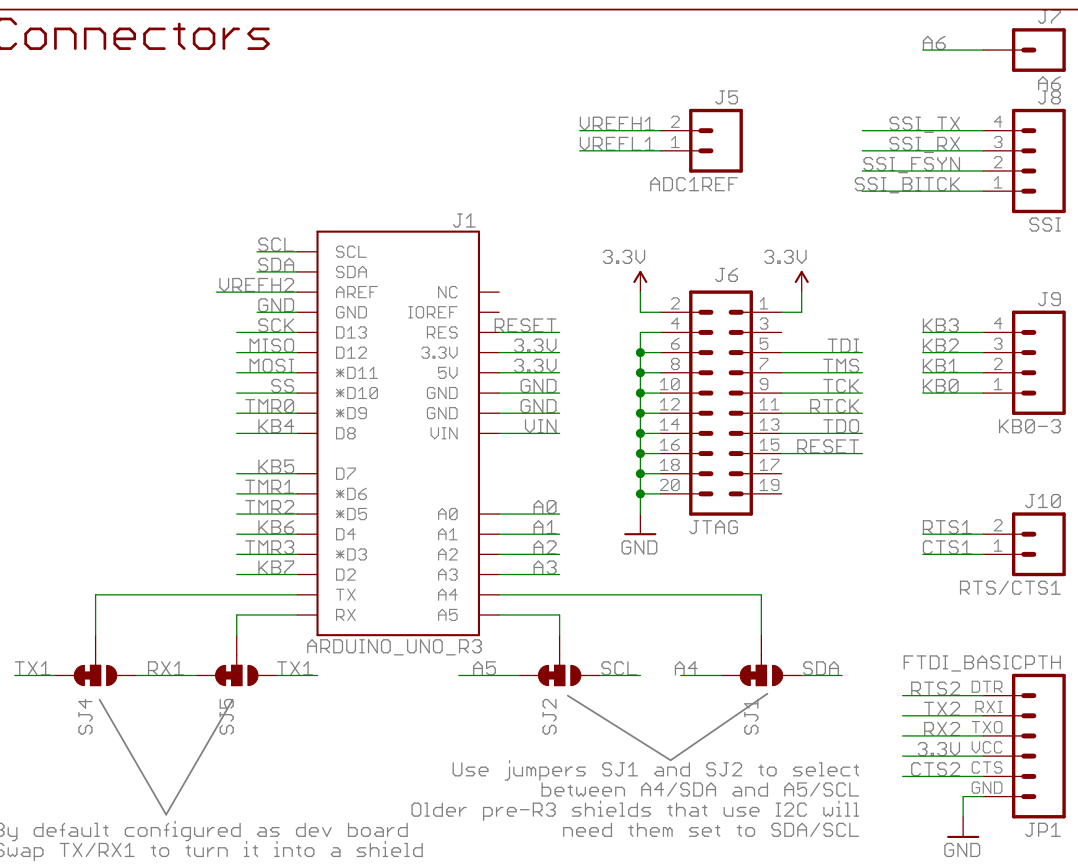


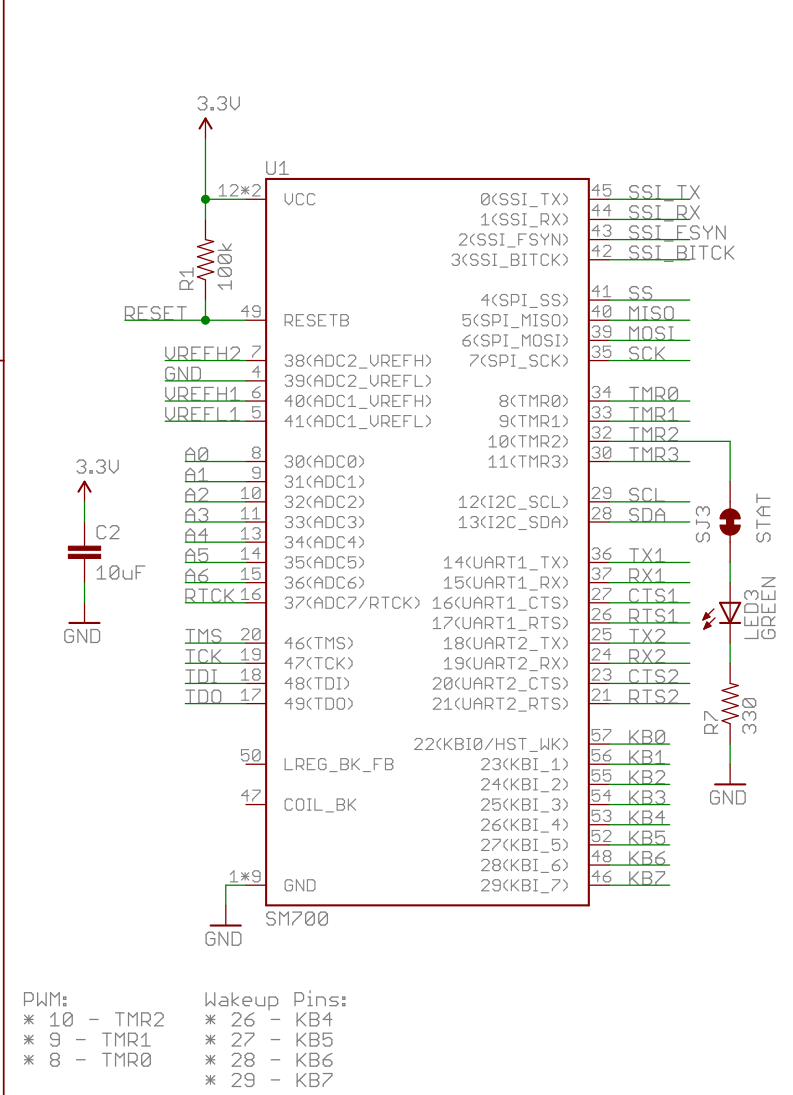
Voltage Regulator



Connectors



Synapse Wireless SM700



Released under the Creative Commons Attribution Share-Alike 3.0 License
<http://creativecommons.org/licenses/by-sa/3.0>

TITLE: SM700-pyXY-v11		SFE	SFE
Document Number:		REV:	
Design by:			
Date: 4/24/2012 2:56:49 PM		Sheet: 1/1	

v11 Change Log:
 * Removed FTDI circuit
 * Removed LiPo Charger Circuit
 * Added 6-pin FTDI header
 * Removed Buck regulator inductor and cap

