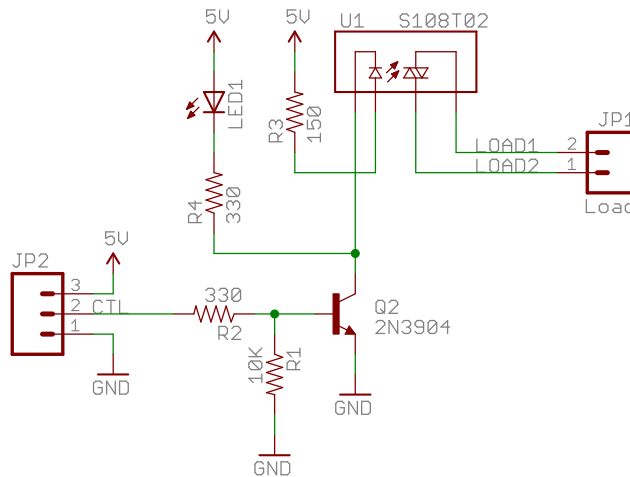


To turn relay on:  
 MAX=50mA  
 MIN=16mA

VCC=5V  
 $(5-1,2-0,7)=0,020 * R$   
 $R=150 \text{ Ohm}$   
 $(0,021)^2 * 150 = P$   
 $P=0,066 \text{ W}$   
 Digiquey: 150EBK-ND



Released under the Creative Commons Attribution Share-Alike 3.0 License  
<http://creativecommons.org/licenses/by-sa/3.0>  
 Design by: N. Seidle



		○ ○ ○ ○	
TITLE: SSR-Board-v10		SFE	SFE
Document Number:			REV:
Date: 4/22/2011 2:14:53 PM		Sheet: 1/1	