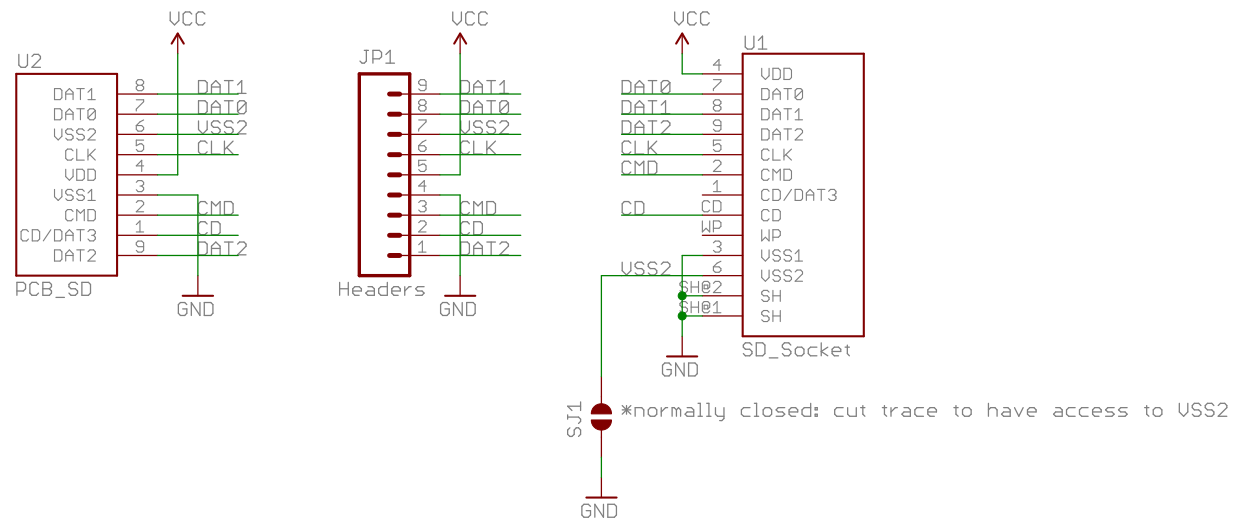


Revision Notes:
v20: changed to a different SD socket



Released under the Creative Commons Attribution Share-Alike 3.0 License
<http://creativecommons.org/licenses/by-sa/3.0>
Design by: A.Weiss



⊗		
⊗		
TITLE: SD-Sniffer-v20		SFE
Document Number:		REV:
Date: 7/16/2012 10:25:24 PM		Sheet: 1/1