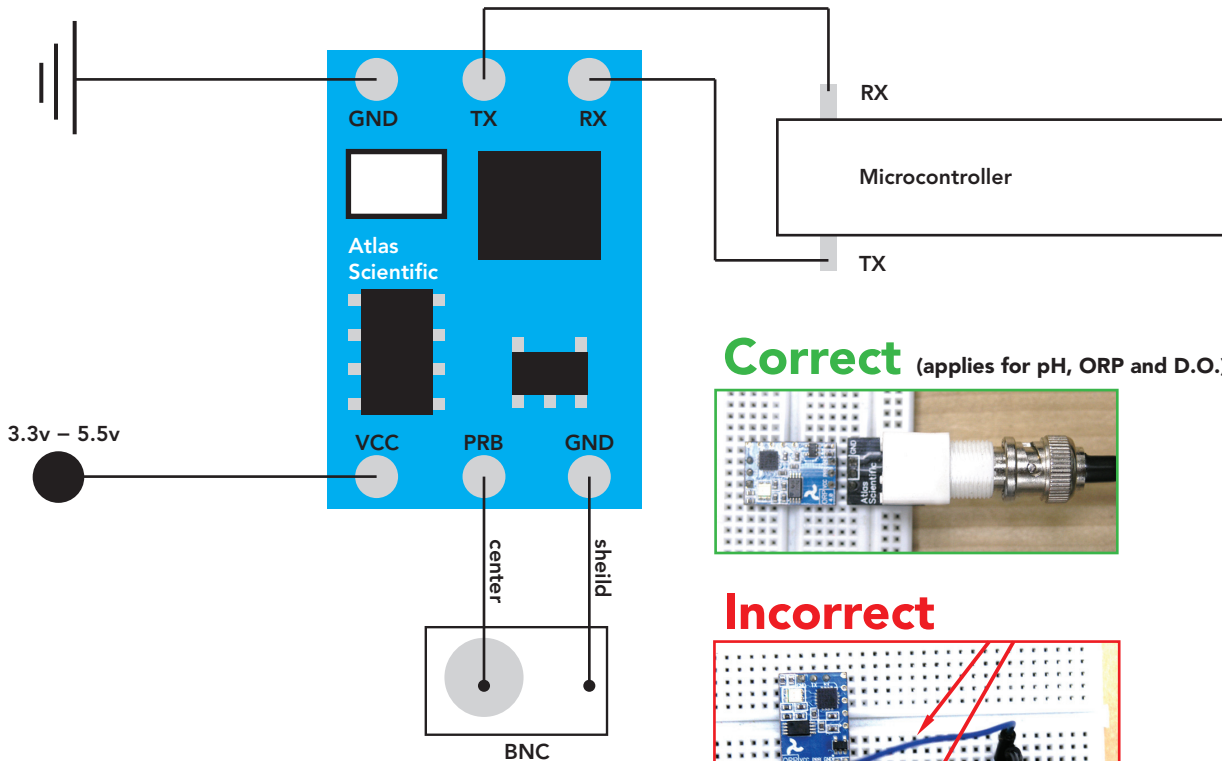
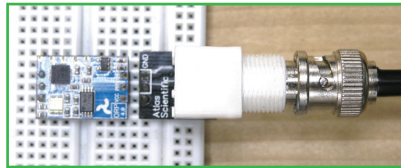


Wiring diagram for the pH, ORP, and Dissolved Oxygen Circuits

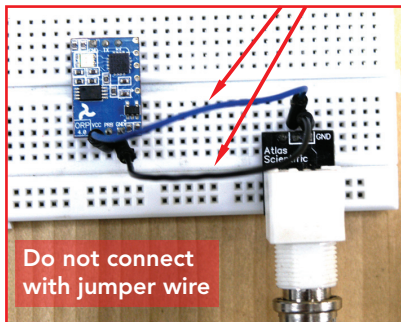
- To connect the Circuits to your microcontroller, follow the diagram below.
- The BNC shield can be connected to any ground line.
- Make sure your Circuit and microcontroller share a common ground.
- TX on your Circuit connects to RX on your microcontroller.



Correct (applies for pH, ORP and D.O.)



Incorrect



Do not connect with jumper wire