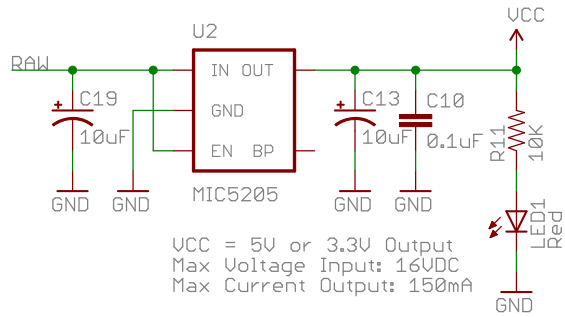
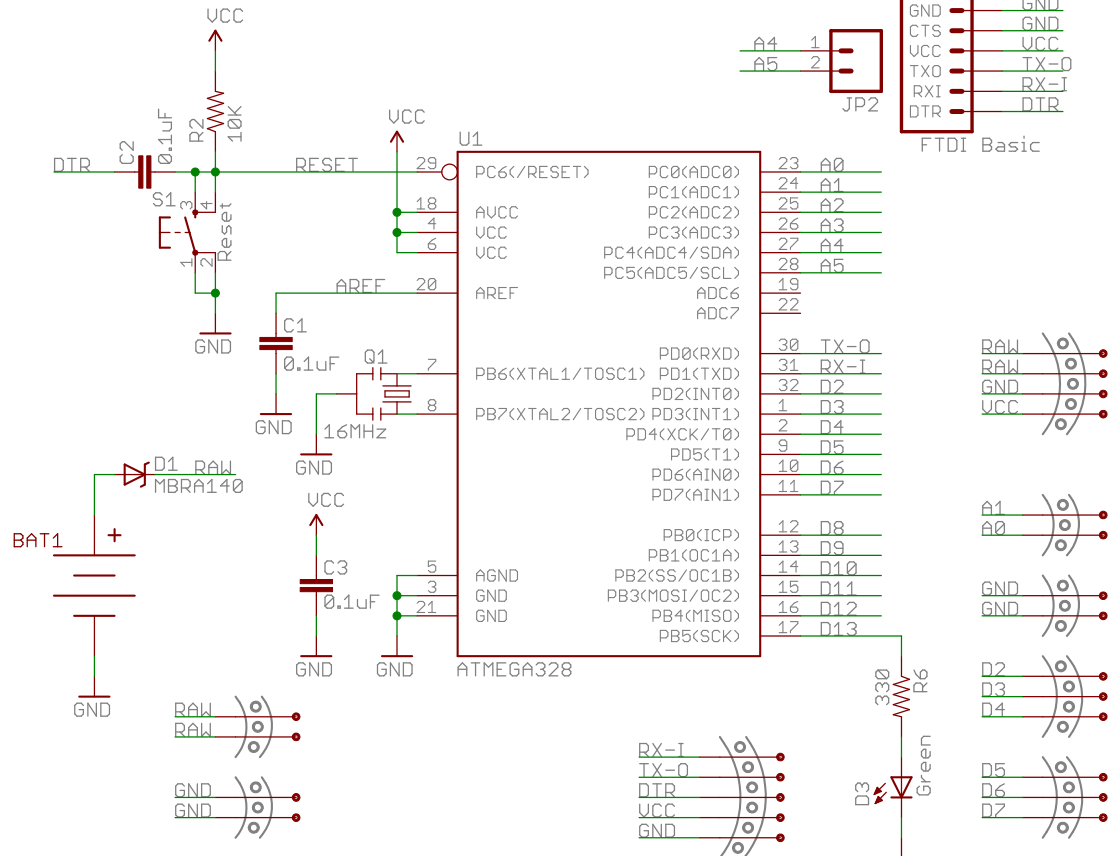
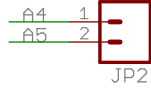
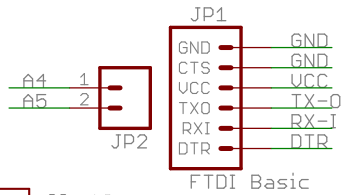
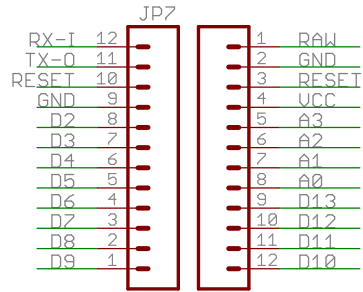


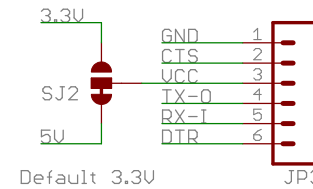
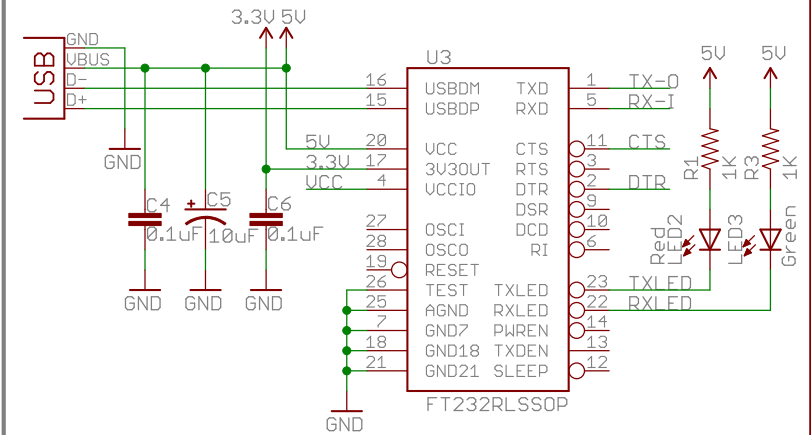
Arduino Pro Mini



UCC = 5V or 3.3V Output
 Max Voltage Input: 16VDC
 Max Current Output: 150mA



FTDI Basic



open hardware



SFE

TITLE: ProtoSnap-MiniBot-v13

Document Number:

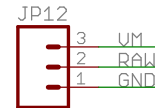
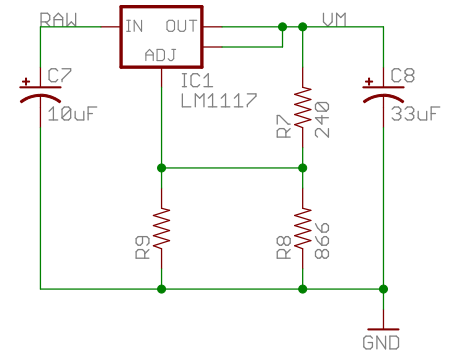
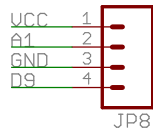
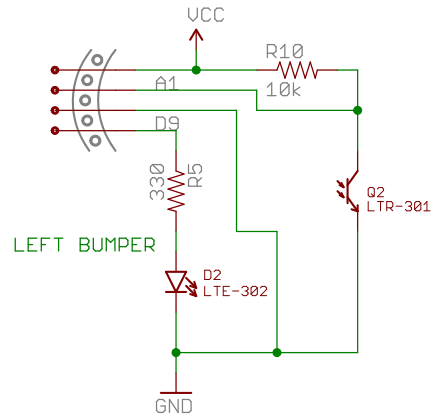
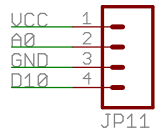
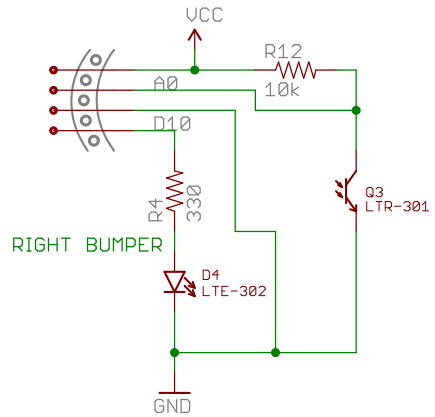
REV:

Date: 1/10/2012 4:04:56 PM

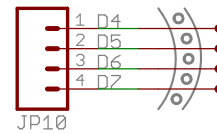
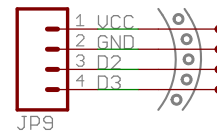
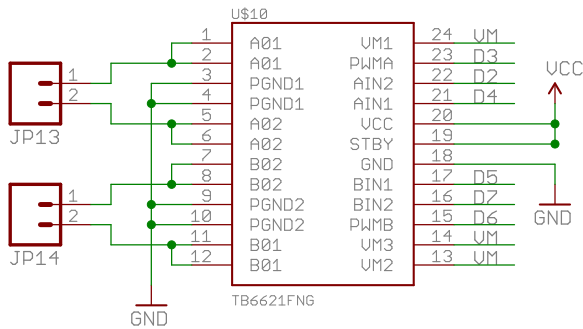
Sheet: 1/2

Released under the Creative Commons Attribution Share-Alike 3.0 License
<http://creativecommons.org/licenses/by-sa/3.0>

Original Arduino Design by Team Arduino
 SparkCard design by Jim Lindblom @ SparkFun Electronics



MOTOR DRIVER



Released under the Creative Commons Attribution Share-Alike 3.0 License
<http://creativecommons.org/licenses/by-sa/3.0>

Original Arduino Design by Team Arduino
 SparkCard design by Jim Lindblom @ SparkFun Electronics

TITLE: ProtoSnap-MiniBot-v13

Document Number:

REV:

Date: 1/10/2012 4:04:56 PM

Sheet: 2/2