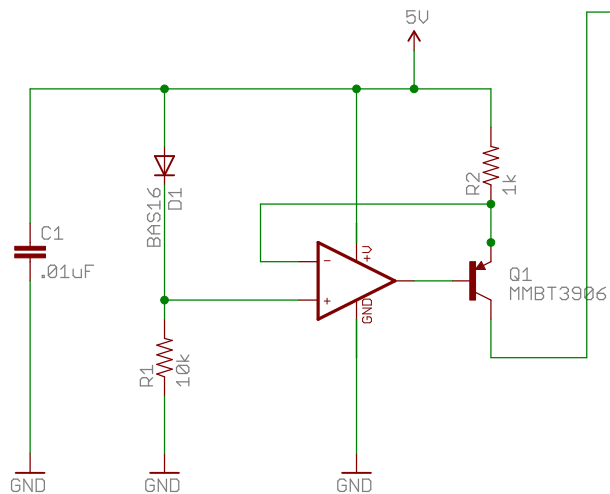
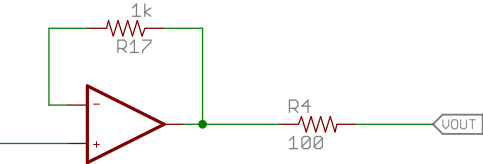
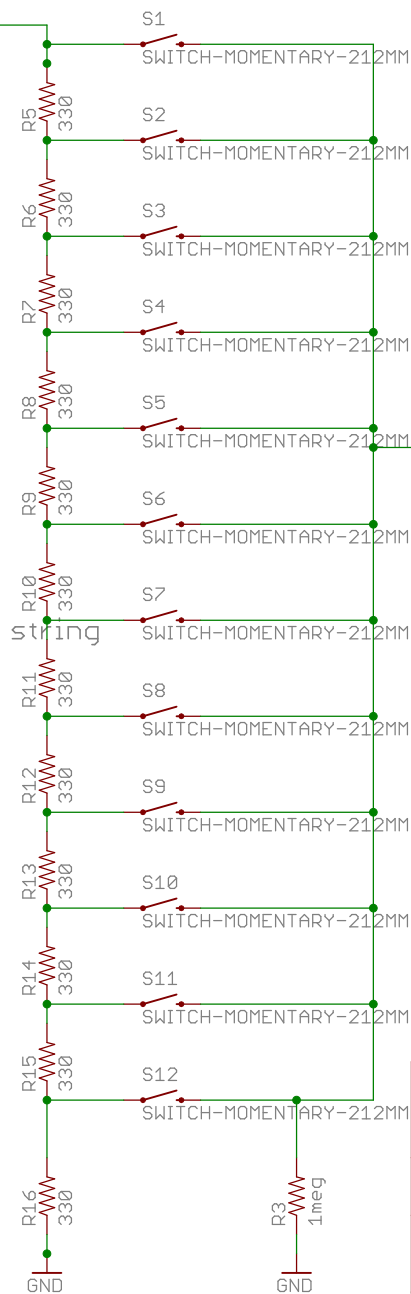


Current Source

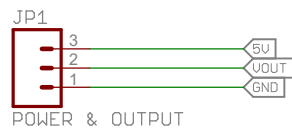


Provides roughly .5 mA into resistor string
 $I_{out} \sim (V_{fwd} \text{ of } D2) / R2$

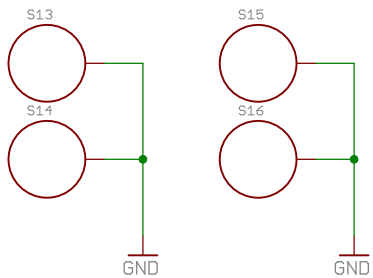
Voltage Divider and Switches Buffer Amplifier



Connector



Mounting holes



Released under the Creative Commons Attribution Share-Alike 3.0 License
<http://creativecommons.org/licenses/by-sa/3.0>

TITLE: VKeyVoltageKeypad

Design by: Byron Jacquot

REV: V10

Date: 2/10/2014 1:31:02 PM

Sheet: 1/1