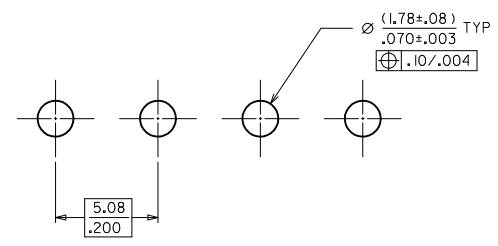
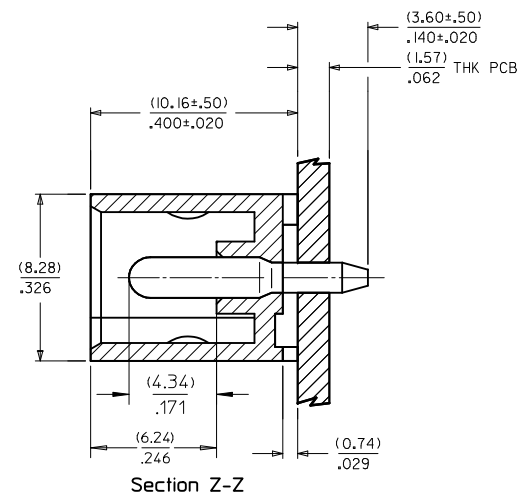
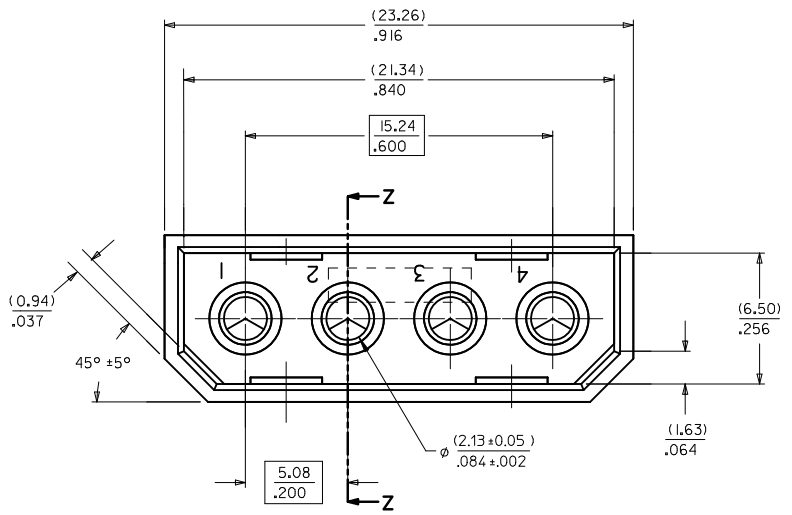


MAT'L NO.	ENG NO.
15-24-4449	A-8981-4V-LF



RECOMMENDED P C B HOLE LAYOUT

NOTES:

- PART TO MATE WITH HOUSING 8981-4P AND TERMINAL 8980-3*
- PRODUCT SPEC. PS -8981-4V* APPLIES
- PARTS TO BE PACKED IN MOISTURE BARRIER BAG.

MATERIAL :

HOUSING : NYLON 6/6, UNFILLED, 94V-2, COLOR - NATURAL (OFF-WHITE).
 TERMINAL : PHOSPHOR BRONZE, C51000
 PLATING : POSTPLATE (0.00254)/.000100 MIN. TIN OVER
 (0.00127)/.000050 MIN. NICKEL OVERALL

ADD NOTE 3. EC NO: 201112/07 DRWN:SKANG CHKD: APPR:	QUALITY SYMBOLS ▽=0 ◻=0	GENERAL TOLERANCES (UNLESS SPECIFIED) mm INCH 4 PLACES ± --- ± --- 3 PLACES ± --- ± .008 2 PLACES ± 0.20 ± --- 1 PLACE ± --- ± --- ANGULAR ± 3 °	DIMENSION STYLE MM/IN DRAWN BY: TAY DATE: 1989/05/26 CHECKED BY: NK DATE: 1989/05/26 APPROVED BY: AB DATE: 1989/05/26	SCALE NTS DESIGN UNITS METRIC THIRD ANGLE PROJECTION	TITLE HEADER, 4 CKTS VERTICAL MOUNT
	MATERIAL NO. SEE TABLE	DOCUMENT NO. SDA-8981-4V	SHEET NO. 1 OF 1		
	DRAFT WHERE APPLICABLE MUST REMAIN WITHIN DIMENSIONS				
	THIS DRAWING CONTAINS INFORMATION THAT IS PROPRIETARY TO MOLEX INCORPORATED AND SHOULD NOT BE USED WITHOUT WRITTEN PERMISSION				