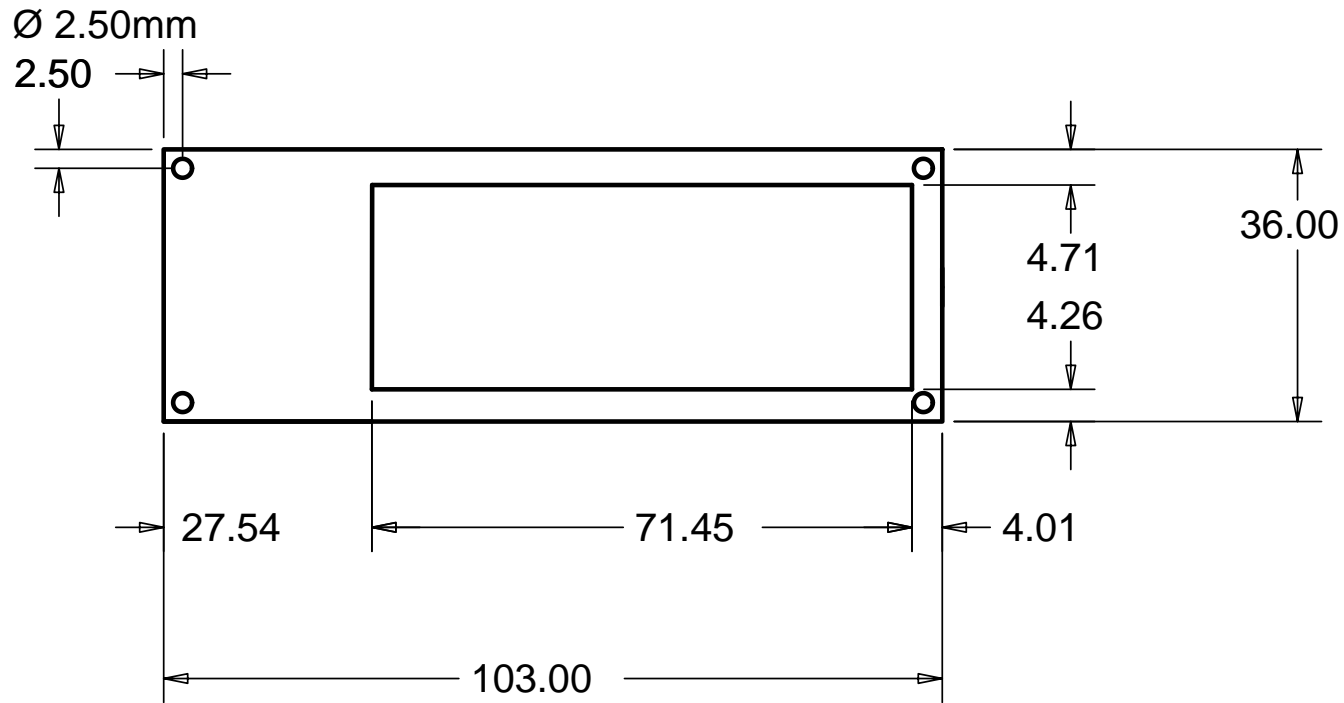
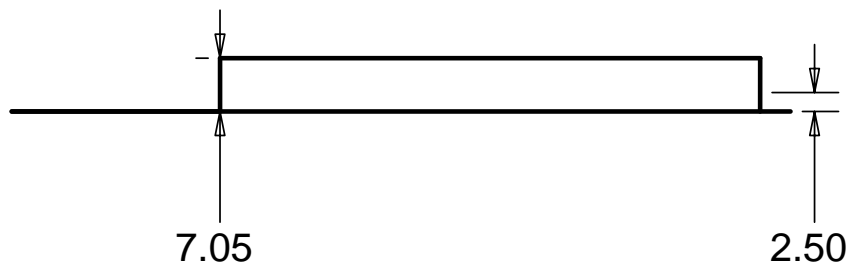


Serial Enabled 5V LCD Screen



Elevations from TOP of PCB



LCD Panel Frame Dimensions

