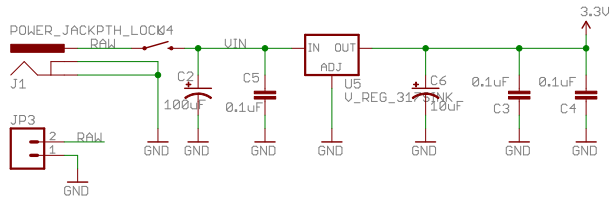


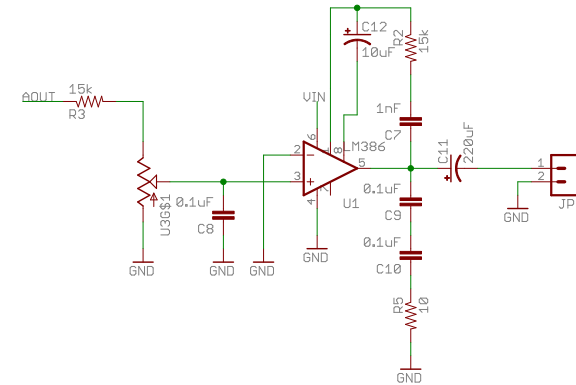
v11: removed tStop label over fabfm kit  
added lock FP for JP2

## POWER

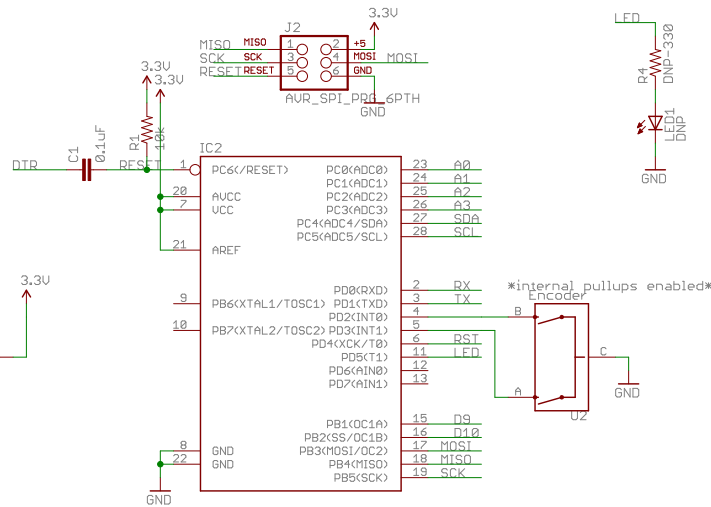
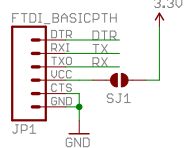
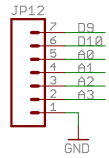


\*it is suggested to use a 9V wall wart with at least 100mA output

## RADIO



## MCU



Released under the Creative Commons Attribution Share-Alike 3.0 License  
<http://creativecommons.org/licenses/by-sa/3.0>  
 Design by: Original Design by D.Mellis  
 Revised by A.Weiss



SFE	Title: fabfm
SFE	Version:
SFE	not saved!
Drawn By:	1/1