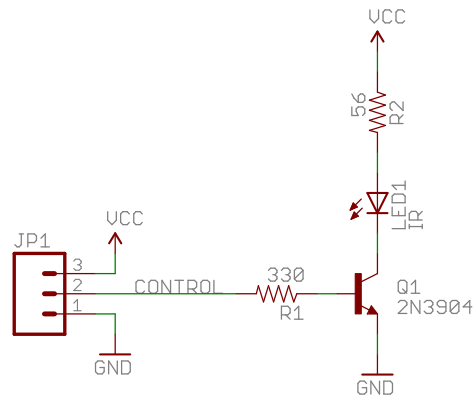


Changes on v1.1:
Included NPN drop in $V=IR$ calculation
Lowered R2 to 56
Correctly connected Q1 to GND instead of UCC



IR Limiting Resistor
 $(5-1.5-0.7)=0.05 \cdot R$
 $R=56$
 $(0.05)^2 \cdot 56=0.140W$
56QBK-ND

Released under the Creative Commons Attribution Share-Alike 3.0 License
<http://creativecommons.org/licenses/by-sa/3.0>
Design by: N. Seidle

TITLE: PowerIR-v11	SFE
Document Number:	REV:
Date: 5/28/2011 6:39:31 PM	Sheet: 1/1