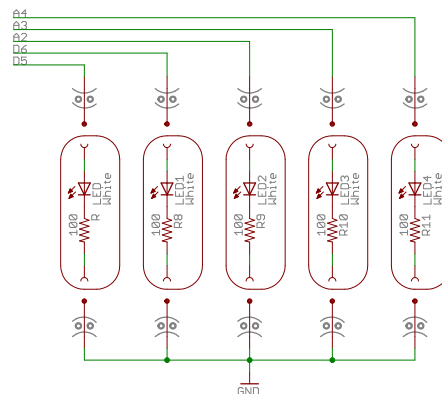


<b>LilyPad - MainBoard Simple</b>		
TITLE: LilyPad-Dev-v34	LilyPad	
Document Number: Spark Fun Electronics	REV:	
Date: not saved!	Sheet: 1/1	

Released under the Creative Commons Attribution Share-Alike 3.0 License  
<http://creativecommons.org/licenses/by-sa/3.0>

Designed by:  
 L. Buchley  
 N. Seidle  
 P. Lewis



Changes to U33 (12/22/11)  
 -fixed miso line

Changes to U34 (1/9/2012)  
 -moved to SMD vibrate motor  
 -changed lots of silk to vector style font  
 -modified dimension on all outer boards to make for easier snapping  
 -added more perforation drills on tabs for easier cutting  
 -added DSHL to main board