

IC5

PA0/MC_DA0 F15
 PA1/MC_CDA F14
 PA2/MC_CK F16
 PA3/MC_DA1 F17
 PA4/MC_DA2 E17
 PA5/MC_DA3 E16
 PA6/TXD0 E17
 PA2/RXD0 C16
 PA9/RTS0 B17
 PA10/CTS0 A15
 PA11/TXD1 C14
 PA12/RXD1 D14
 PA13/TXD2 B14
 PA14/RXD2 A14
 D13
 PA15/TD0 C13
 PA16/RD0 T13
 PA17/AD0XP U13
 PA18/AD1XM/RTS1 U13
 PA19/AD2YP/CTS1 U14
 PA20/AD3YM/CKS3 U14
 PA21/DRXD B13
 PA22/DIXD A13
 PA23/12C_SDA D12
 PA24/12C_SCL C12
 PA25/MISO B12
 PA26/MOSI A12
 PA27/SCK C11
 PA28/DATAFLASH_CS B11
 PA29/RTS2 A11
 PA30/CTS2 D10
 PA31/NAI1/IRQ C10

PD0/NC52 J15
 PD1/ACS2_FS J14
 PD2/ACS2_CK H16
 PD3/ACS2_TX H17
 PD4/ACS2_RX H10
 H15
 PD5/DTXD/PHM2 U15
 PD6/GPAD4 U16
 PD7/GPAD5 U16
 H14
 PD8/NPCS2/PHM3 G17
 PD9/SCK2/NPCS3 G16
 PD10/TD1/TIO2 G15
 PD11/TCK1/TIOB2 G14
 PD12/PHM2/PCK1 G14
 PD13/NC55/CFCS1/NPCS3 D16
 PD14/DSR0/PHM0 E15
 PD15/DTR0/PHM1 E14
 PD16/DC00/PHM2 D17
 PD17/RT0 A17
 PD18/PHM3 C15
 PD19/PCK0 B16
 PD20/PCK1 A16
 PD21/TCLK2 B15

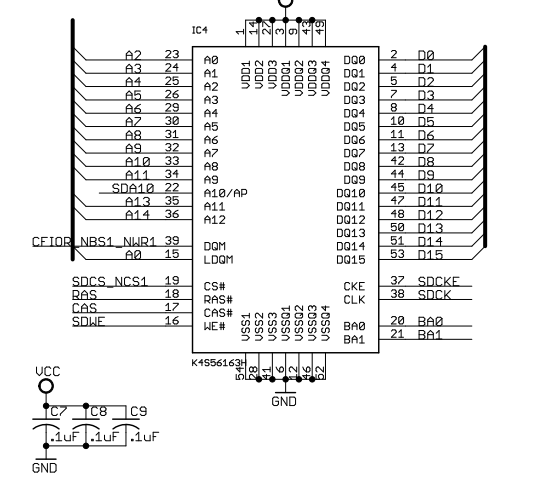
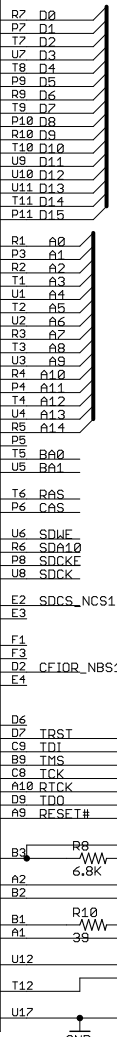
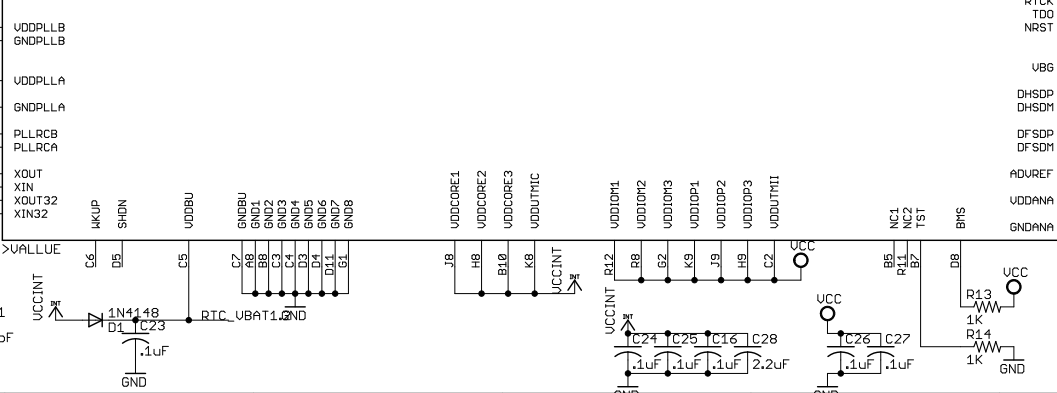
TF0/PC0 PA0/MC_DA0
 LC0PHR/TK0/PC1 PA1/MC_CDA
 PHM0/LC0RD0/PC2 PA2/MC_CK
 PHM1/LC0RD1/PC3 PA3/MC_DA1
 LC0HSYMC/PC4 PA4/MC_DA2
 LC0HSYMC/PC5 PA5/MC_DA3
 LC0D0TK/PC6 PA6/TXD0
 LC0DBEN/PC7 PA2/RXD0
 LC0D2/LC0D0/PC8 PA9/RTS0
 LC0D4/LC0D2/PC9 PA10/CTS0
 LC0D6/LC0D4/PC11 PA11/TXD1
 LC0D8/LC0D6/PC13 PA12/RXD1
 LC0D10/LC0D8/PC15 PA13/TXD2
 LC0D12/LC0D10/PC17 PA14/RXD2
 LC0D14/LC0D12/PC19 PA15/TD0
 LC0D16/LC0D14/PC21 PA16/RD0
 LC0D18/LC0D16/PC23 PA17/AD0XP
 LC0D20/LC0D18/PC25 PA18/AD1XM/RTS1
 LC0D22/LC0D20/PC27 PA19/AD2YP/CTS1
 LC0D24/LC0D22/PC29 PA20/AD3YM/CKS3
 LC0D26/LC0D24/PC31 PA21/DRXD
 LC0D28/LC0D26/PC33 PA22/DIXD
 LC0D30/LC0D28/PC35 PA23/12C_SDA
 LC0D32/LC0D30/PC37 PA24/12C_SCL
 LC0D34/LC0D32/PC39 PA25/MISO
 LC0D36/LC0D34/PC41 PA26/MOSI
 LC0D38/LC0D36/PC43 PA27/SCK
 LC0D40/LC0D38/PC45 PA28/DATAFLASH_CS
 LC0D42/LC0D40/PC47 PA29/RTS2
 LC0D44/LC0D42/PC49 PA30/CTS2
 LC0D46/LC0D44/PC51 PA31/NAI1/IRQ
 LC0D48/LC0D46/PC53

TXD3/PB0 P13 DB0/TXD3
 RXD3/PB1 P14 DB1/BXD3
 A21_NANDALE/PB2 F4 PB2
 A22_NANDCLE/PB3 F4
 NANDWE/PB5 G4
 NANDCS/PB6 G3
 NPCS3_NANDCS/PB6 H4
 NPCS1_NCS4/CFCS0/PB7 H3 DB8/DI10
 PHM0/CFE1/PB8 H2 DBS/DI11
 F10/P25/CFE2/PB9 J4
 A18/PB14 J3
 A19/PB13 J1 DB12
 A20/PB12 J2 DB13
 A21/PB11 K2 DB14
 ADTR0/P24/PB15 K4
 PCK0/A23/PB14 K3
 D17/PB19 L1 DB18
 D18/PB18 L2 DB19
 D19/PB19 L3
 D20/PB20 L3
 D21/PB21 L1 DB22
 D22/PB23 L2
 D24/PB24 L4
 D25/PB25 L4
 D26/PB26 L4 DB26
 D27/PB27 L4 DB27
 D28/PB28 L4 DB28
 D29/PB29 L3 DB29
 D30/PB30 L1 DB30
 D31/PB31 L2 DB31

TXD3/PB0 P13
 RXD3/PB1 P14
 A21_NANDALE/PB2 F4
 A22_NANDCLE/PB3 F4
 NANDWE/PB5 G4
 NANDCS/PB6 G3
 NPCS3_NANDCS/PB6 H4
 NPCS1_NCS4/CFCS0/PB7 H3
 PHM0/CFE1/PB8 H2
 F10/P25/CFE2/PB9 J4
 A18/PB14 J3
 A19/PB13 J1
 A20/PB12 J2
 A21/PB11 K2
 ADTR0/P24/PB15 K4
 PCK0/A23/PB14 K3
 D17/PB19 L1
 D18/PB18 L2
 D19/PB19 L3
 D20/PB20 L3
 D21/PB21 L1
 D22/PB23 L2
 D24/PB24 L4
 D25/PB25 L4
 D26/PB26 L4
 D27/PB27 L4
 D28/PB28 L4
 D29/PB29 L3
 D30/PB30 L1
 D31/PB31 L2

PD0/NC52 J15
 PD1/ACS2_FS J14
 PD2/ACS2_CK H16
 PD3/ACS2_TX H17
 PD4/ACS2_RX H10
 H15
 PD5/DTXD/PHM2 U15
 PD6/GPAD4 U16
 PD7/GPAD5 U16
 H14
 PD8/NPCS2/PHM3 G17
 PD9/SCK2/NPCS3 G16
 PD10/TD1/TIO2 G15
 PD11/TCK1/TIOB2 G14
 PD12/PHM2/PCK1 G14
 PD13/NC55/CFCS1/NPCS3 D16
 PD14/DSR0/PHM0 E15
 PD15/DTR0/PHM1 E14
 PD16/DC00/PHM2 D17
 PD17/RT0 A17
 PD18/PHM3 C15
 PD19/PCK0 B16
 PD20/PCK1 A16
 PD21/TCLK2 B15

Designed by GHI Electronics



FEZ Hydra
 GHI Electronics, LLC
 not saved!
 Sheet: 2/2