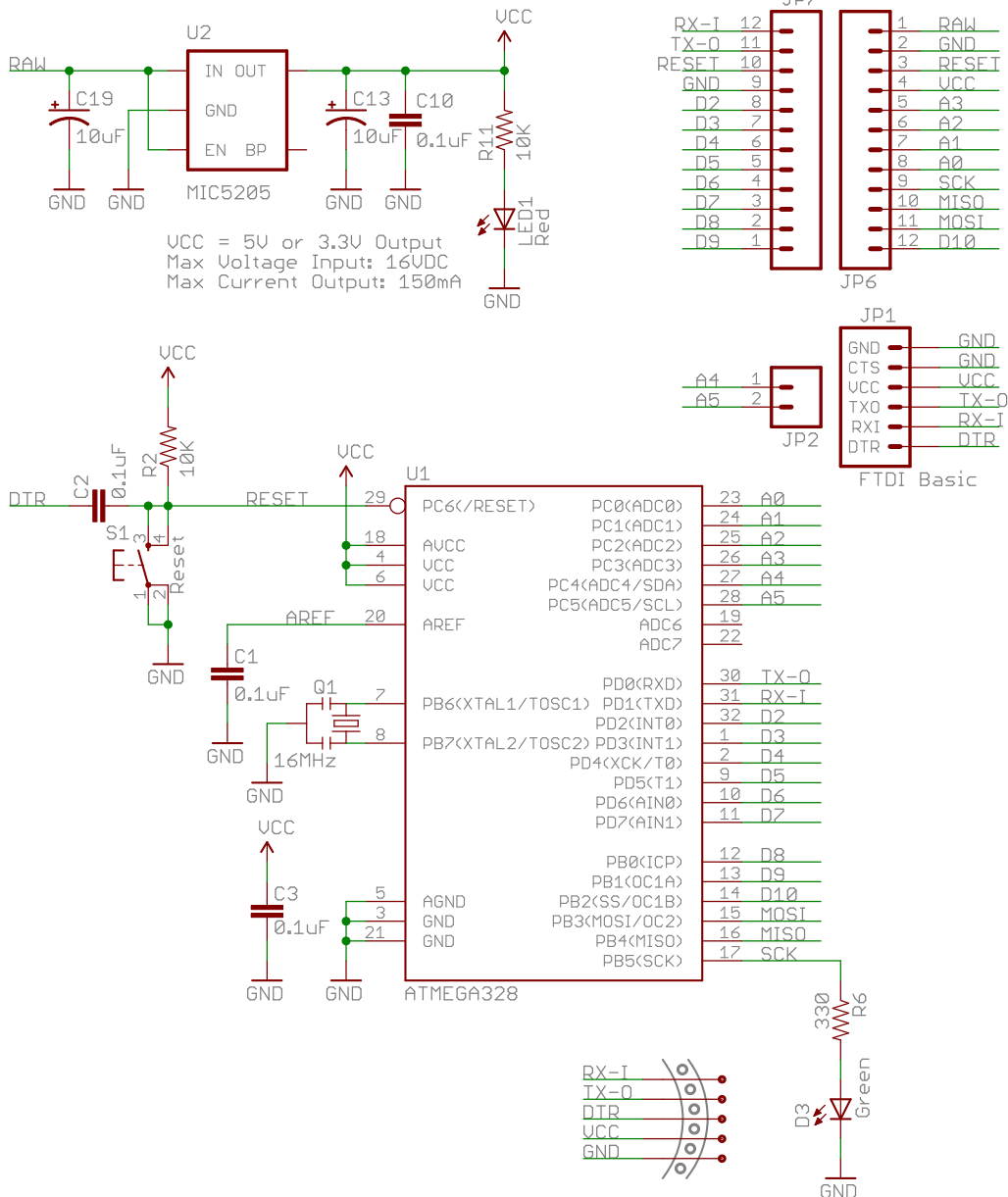


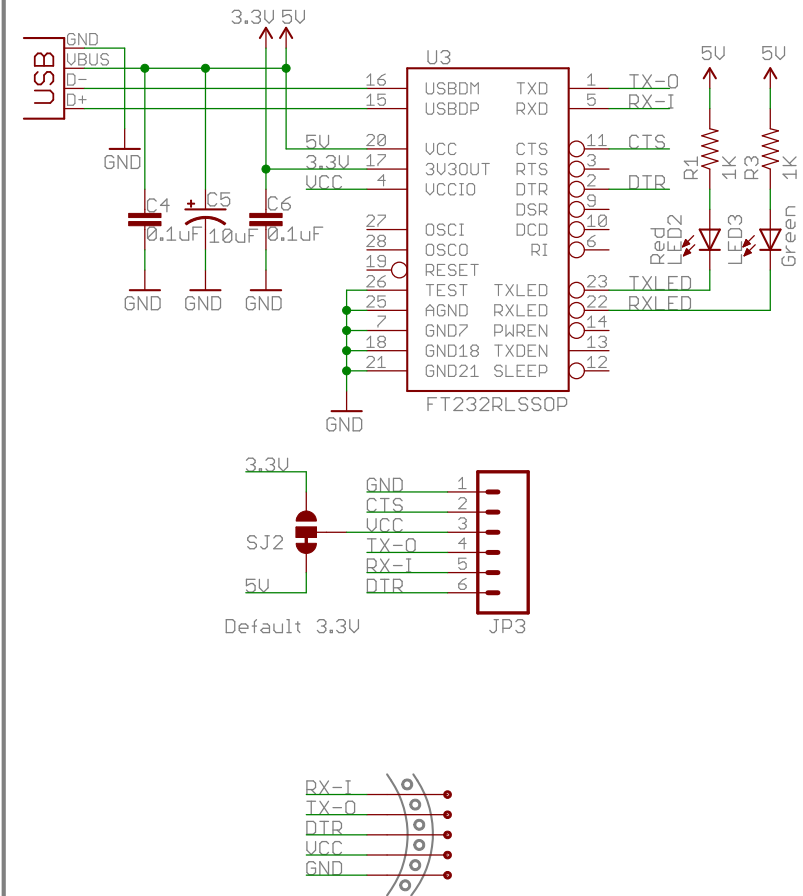
Arduino Pro Mini



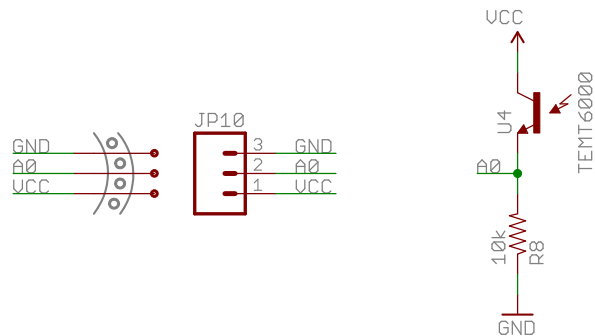
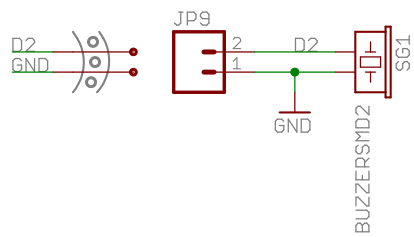
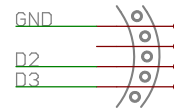
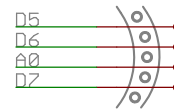
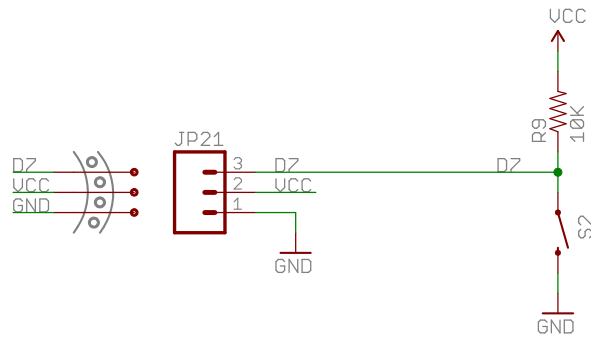
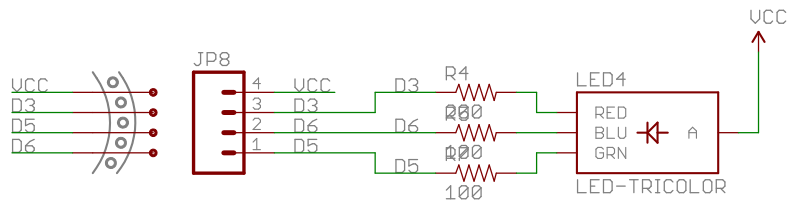
Released under the Creative Commons Attribution Share-Alike 3.0 License
<http://creativecommons.org/licenses/by-sa/3.0>

Original Arduino Design by Team Arduino
 SparkCard design by Jim Lindblom @ SparkFun Electronics

FTDI Basic



⊗ ⊗		
⊗ ⊗	SFE	SFE
TITLE: ProtoSnap-v13		SFE SFE
Document Number:		REV:
Date: 6/21/2011 11:17:02 AM		Sheet: 1/2



Released under the Creative Commons Attribution Share-Alike 3.0 License
<http://creativecommons.org/licenses/by-sa/3.0>

Original Arduino Design by Team Arduino
 SparkCard design by Jim Lindblom @ SparkFun Electronics

TITLE: ProtoSnap-v13	
Document Number:	REV:
Date: 6/21/2011 11:17:02 AM	Sheet: 2/2