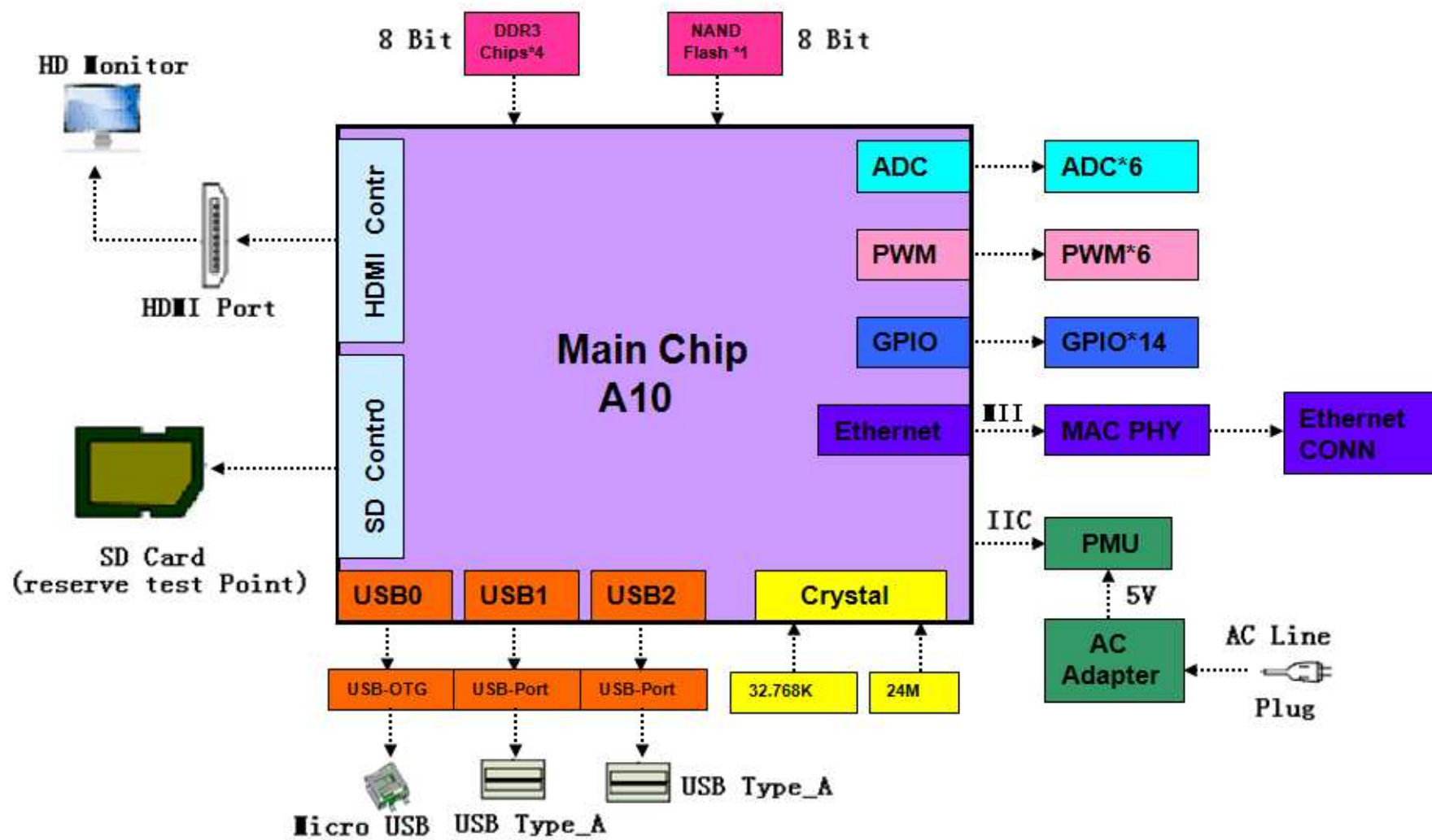


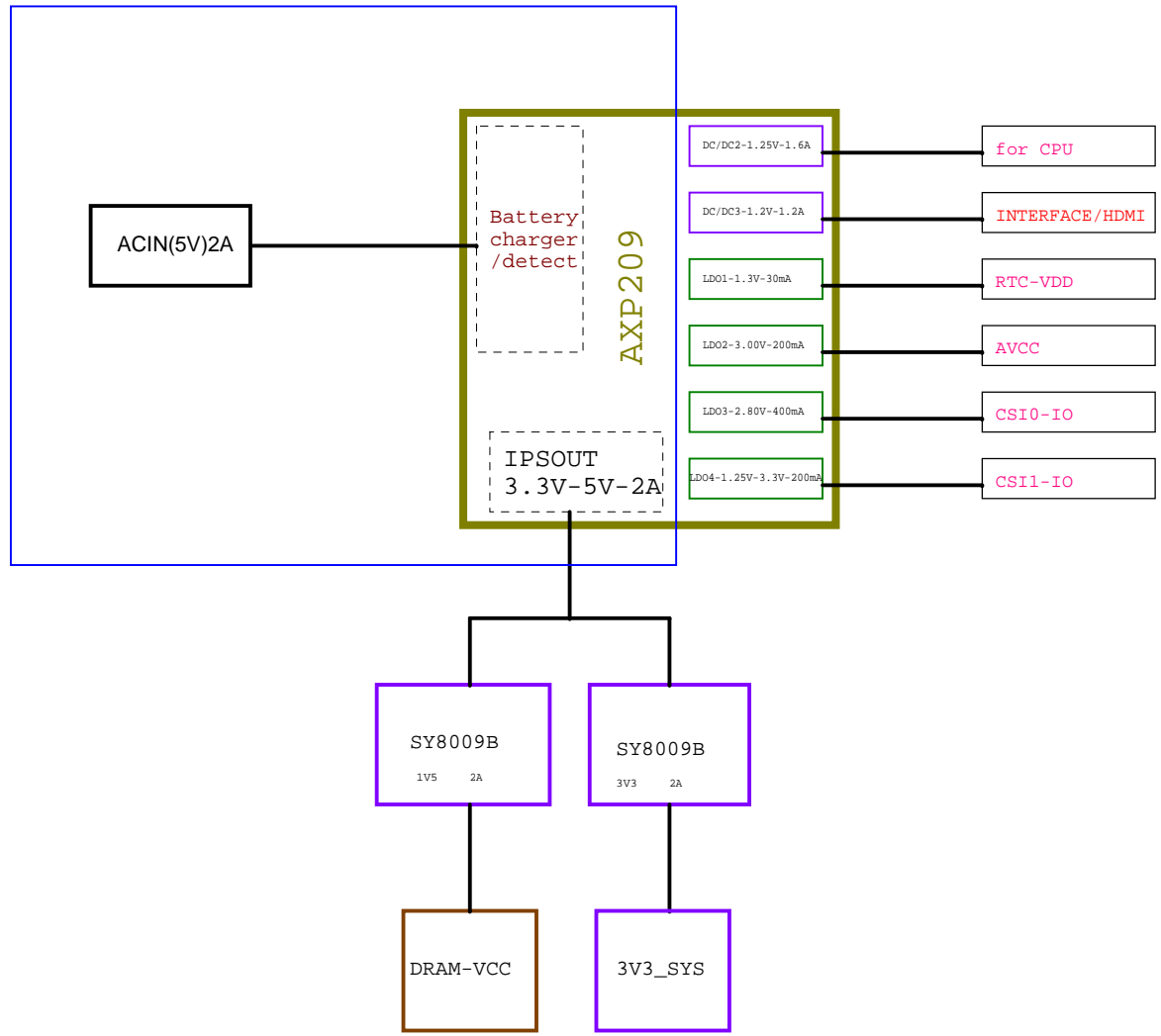
Rev	Description	Date	Drawn
Ver1.0	First release	2013-01-28	

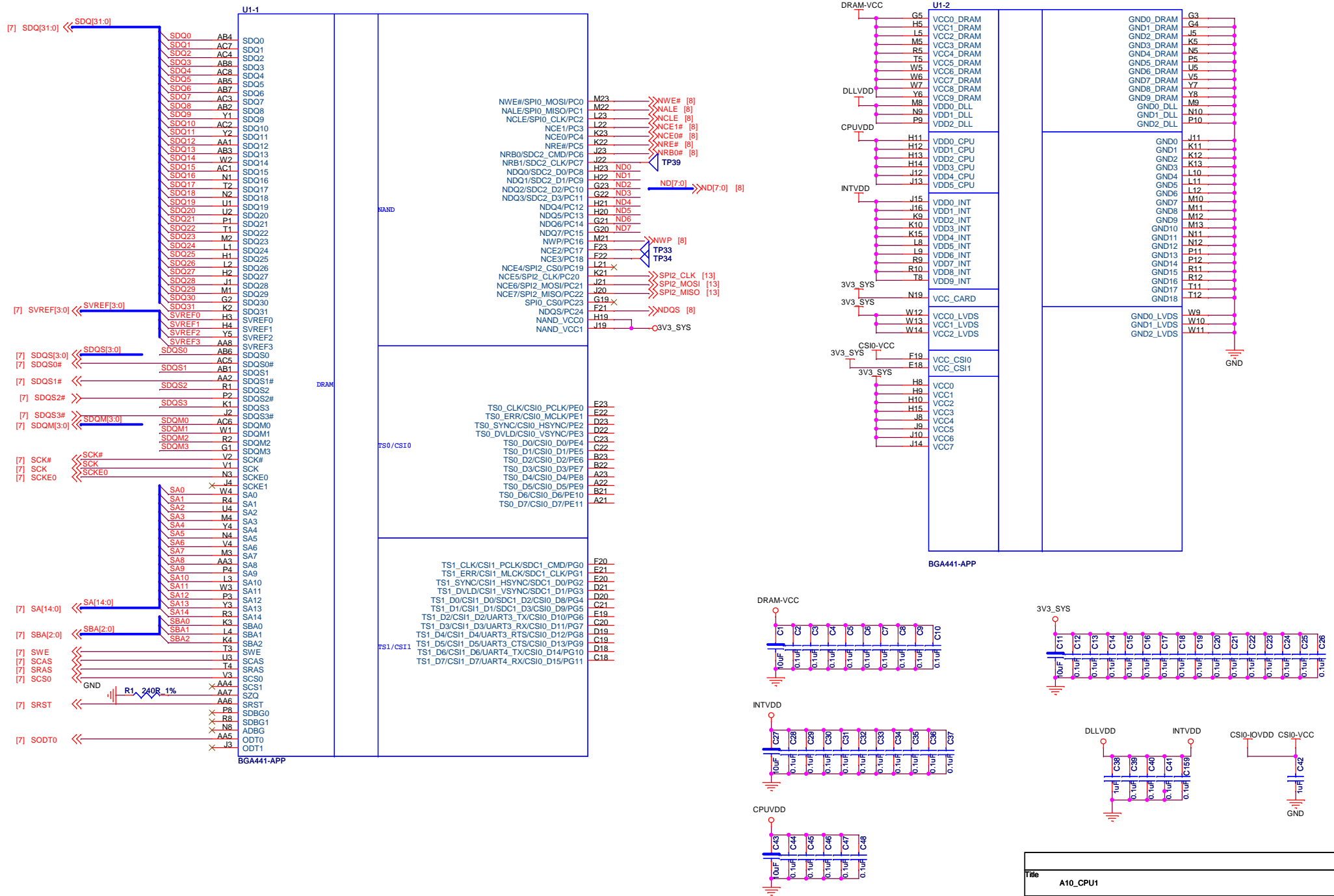
Title A10_Cover		
Size A4	Document Number <Doc>	Rev V1.0
Date: Monday, January 28, 2013		Sheet 1 of 14



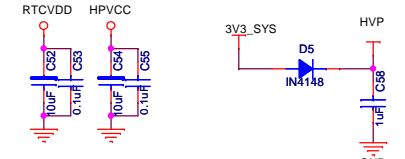
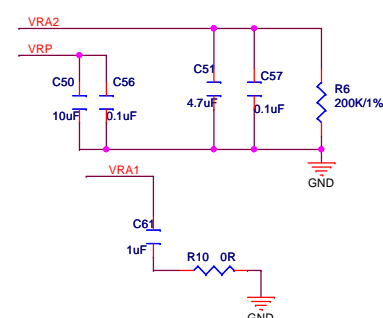
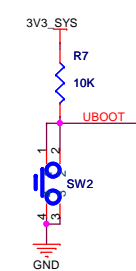
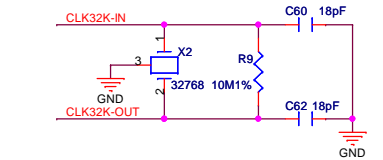
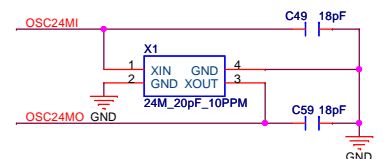
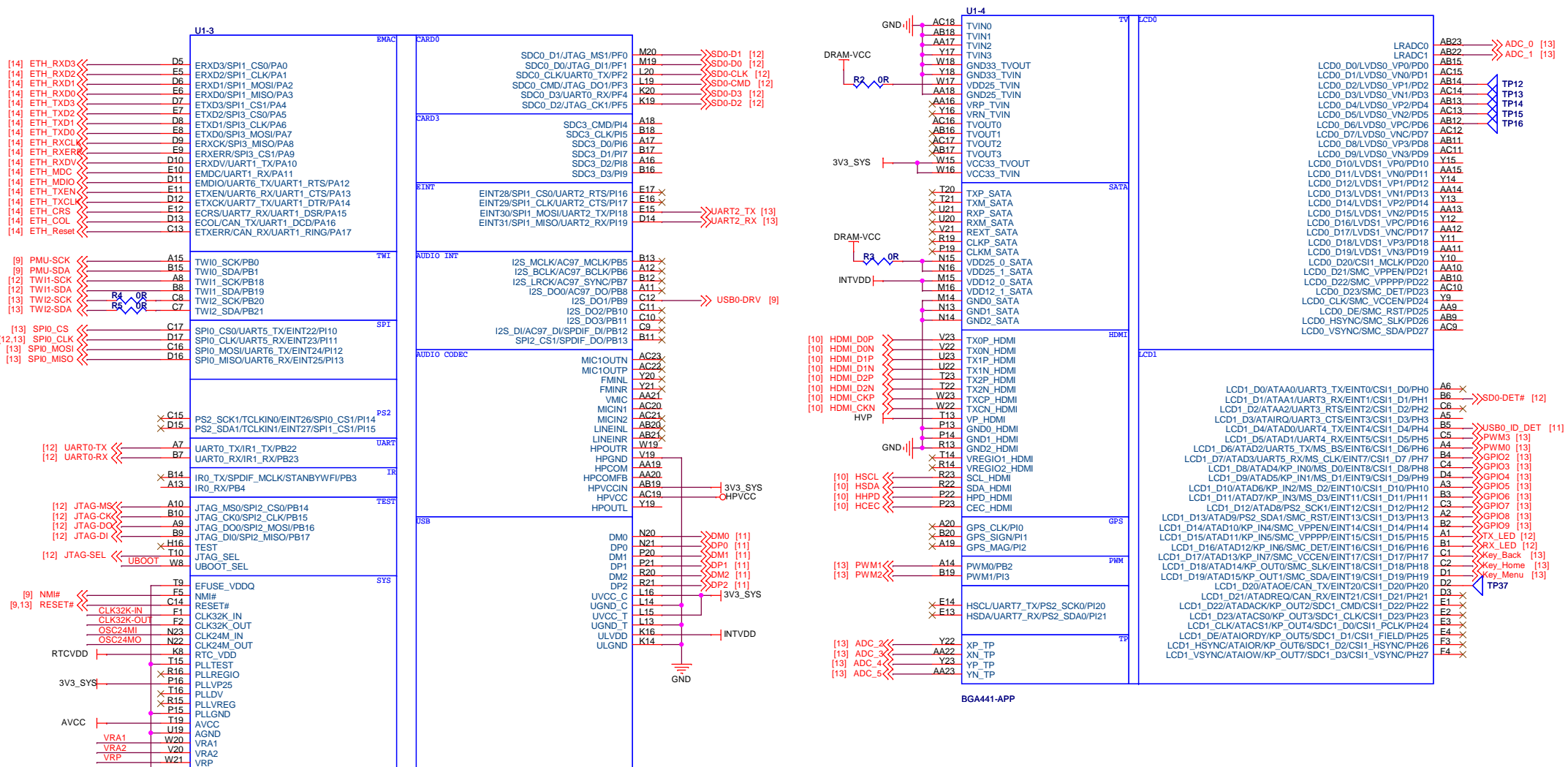
Title		
A10_BLOCK		
Size	Document Number	Rev
A4	<Doc>	V1.0
Date:	Monday, January 28, 2013	Sheet 2 of 14

Function	GPIO List	Pin Name	Direction	Net Name	Active	Default	Description
SPI1	ERXD2/SPI1_CLK/PA1	E5	O	SPI1_CLK			SPI1_LINK
	ERXD1/SPI1_MOSI/PA2	D6	O	SPI1_MOSI			
	ERXD0/SPI1_MISO/PA3	E6	I	SPI1_MISO			
SPI0	SPIO0_CS0/UART5_TX/EINT22/PI10	C17	O	SPIO_CS			SPIO_LINK/PWM
	SPIO0_CLK/UART5_RX/EINT23/PI11	D17	O	SPIO_CLK			SPIO0_LINK
	SPIO0_MOSI/UART6_TX/EINT24/PI12	C16	O	SPIO_MOSI			SPIO_LINK/PWM
	SPIO0_MISO/UART6_RX/EINT25/PI13	D16	I	SPIO_MISO			SPIO_LINK
IIC0	TWI0_SCK/PB0	A15	O	PMU-SCK			PMU_IIC_LINK
	TWI0_SDA/PB1	B15	I/O	PMU-SDA			
IIC1	TWI1_SCK/PB18	A8	O	TWI1-SCK			IIC_LINK
	TWI1_SDA/PB19	B8	I/O	TWI1-SDA			
IIC2	TWI2_SCK/PB20	C8	O	TWI2-SCK			CONN_IIC_LINK
	TWI2_SDA/PB21	C7	I/O	TWI2-SDA			
UART0	UART0_TX/IR1_TX/PB22	A7	O	UART0-TX			UART0_LINK For debug
	UART0_RX/IR1_RX/PB23	B7	I	UART0-RX			
JTAG	JTAG_MS0/SPI2_CS0/PB14	A10	O	JTAG-MS			JTAG_LINK
	JTAG_CK0/SPI2_CLK/PB15	B10	O	JTAG-CK			
	JTAG_DO0/SPI2_MOSI/PB16	A9	O	JTAG-DO			
	JTAG_DI0/SPI2_MISO/PB17	B9	I	JTAG-DI			
	JTAGSEL	T10	I	JTAG-SEL			
SD0	NMI#	F5	O	NMI#			PMU_INT
	SDC0_DI/JATG_MS1/PF0	M20	I/O	SD0-D1			SD_CARD
	SDC0_D0/JATG_DI1/PF1	M19	I/O	SD0-D0			
	SDC0_CLK/UART0_TX/PF2	L20	O	SD0-CLK			
	SDC0_CMD/JTAG_DO1/PF3	L19	O	SD0-CMD			
	SDC0_D3/UART0_RX/PF4	K20	I/O	SD0-D3			
SDC0_D2/JATG_CK1/PF5	K19	I/O	SD0-D2				
UART2	EINT30/SPI1_MOSI/UART2_TX/PI18	E15	O	UART2_TX			UART2_LINK/GPIO
	EINT30/SPI1_MISO/UART2_RX/PI19	D14	I	UART2_RX			
USB0	I2S_DO1/PB9	C12	I	USB0-DRV	H	H	PMU_CHANSEL_SEL
	DM0	N20	I/O	DM0			OTG_USB
USB1	DP0	N21	I/O	DP0			
	DM1	P20	I/O	DM1			
USB2	DP1	P21	I/O	DP1			USB_Type_A
	DM2	R20	I/O	DM2			
HDMI	DP2	R21	I/O	DP2			HDMI_DDC
	SCL_HDMI	R23	O	HSCL			
	SDA_HDMI	R22	I/O	HSDA			
	HPD_HDMI	P22	I	HHPD	H	L	
PWM	CEC_HDMI	P23	I	HCEC	H	L	HDMI_CEC
	PWM0/PB2	A14	O	PWM1			PWM
ADC	PWM1/PI3	B19	O	PWM2			PWM
	XP_TP	Y22	I	ADC_2			6_CHANSEL_ADC
	XN_TP	AA22	I	ADC_3			
	YP_TP	Y23	I	ADC_4			
	YN_TP	AA23	I	ADC_5			
	LRADC0	AB23	I	ADC_0			
LRADC1	AB22	I	ADC_1				
PWM	LCD1_D1/ATAA1/UART3_RX/EINT1/CSI1_D1/PH1	B6	I	SD0-DET#	L	H	SD_CARD_DET
	LCD4_D1/ATAD0/UART4_TX/EINT4/CSI1_D4/PH4	B5	I	USB0_ID_DET	L	H	OTG_USB_DET
GPIO	LCD5_D1/ATAD1/UART4_RX/EINT5/CSI1_D5/PH5	C5	I/O	PWM3			PWM
	LCD6_D1/ATAD2/UART5_TX/EINT6/CSI1_D6/PH6	A4	I/O	PWM0			PWM
	LCD1_D7/ATAD3/UART5_RX/EINT7/CSI1_D7/PH7	B4	I/O	GPIO2			GPIO
	LCD1_D8/ATAD4/EINT8/CSI1_D8/PH8	C4	I/O	GPIO3			GPIO
	LCD1_D9/ATAD5/EINT9/CSI1_D9/PH9	D4	I/O	GPIO4			GPIO
	LCD1_D10/ATAD6/EINT10/CSI1_D10/PH10	A3	I/O	GPIO5			GPIO
	LCD1_D11/ATAD7/EINT11/CSI1_D11/PH11	B3	I/O	GPIO6			GPIO
	LCD12_D12/ATAD8/EINT12/CSI1_D12/PH12	C3	I/O	GPIO7			GPIO
	LCD1_D13/ATAD9/EINT13/CSI1_D13/PH13	A2	I/O	GPIO8			GPIO
	LCD14_D14/ATAD10/EINT14/CSI1_D14/PH14	B2	I/O	GPIO9			GPIO
	LCD1_D15/ATAD11/EINT15/CSI1_D15/PH15	A1	O	TX_LED	L	H	TX_LED
	LCD1_D16/ATAD12/EINT16/CSI1_D16/PH16	B1	O	RX_LED	L	H	RX_LED
	LCD1_D17/ATAD13/EINT17/CSI1_D16/PH17	C1	I	Key_Back	L	H	Key_Back
	LCD1_D18/ATAD14/EINT18/CSI1_D16/PH18	C2	I	Key_Home	L	H	Key_Home
LCD1_D19/ATAD15/EINT19/CSI1_D16/PH19	D1	I	Key_Menu	L	H	Key_Menu	

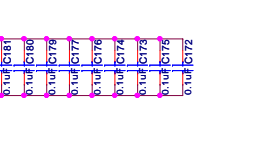
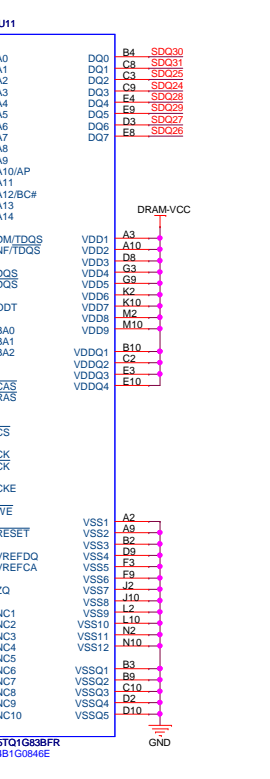
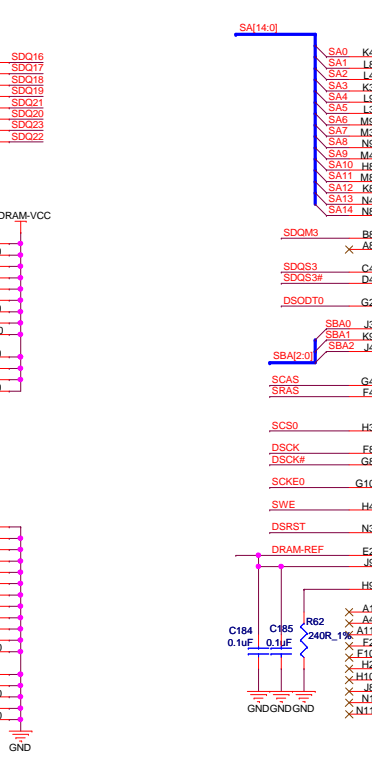
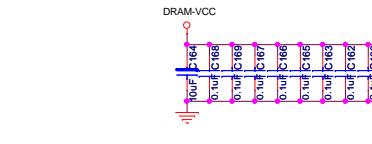
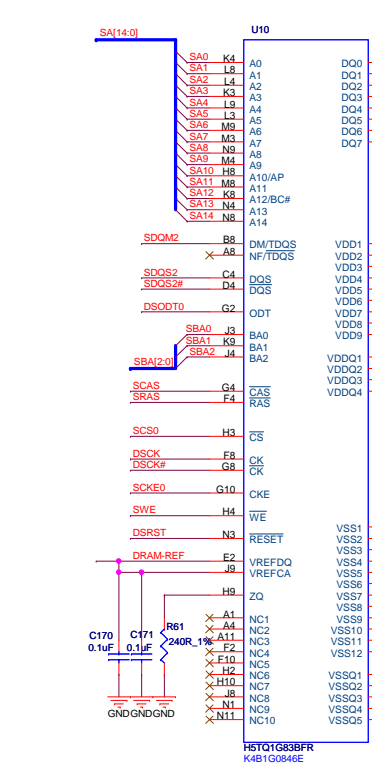
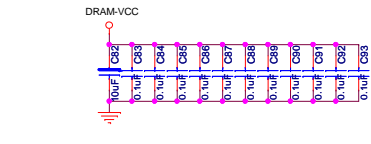
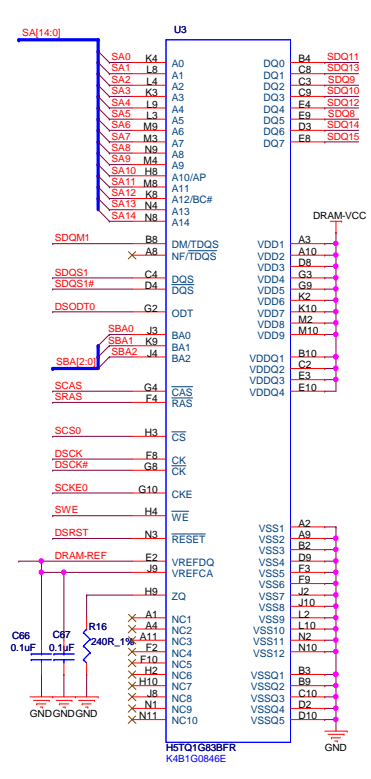
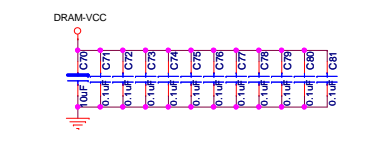
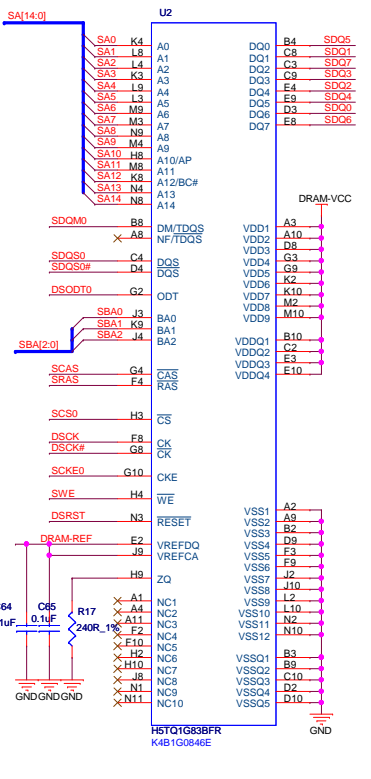
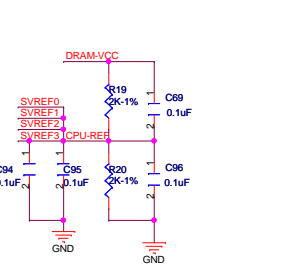
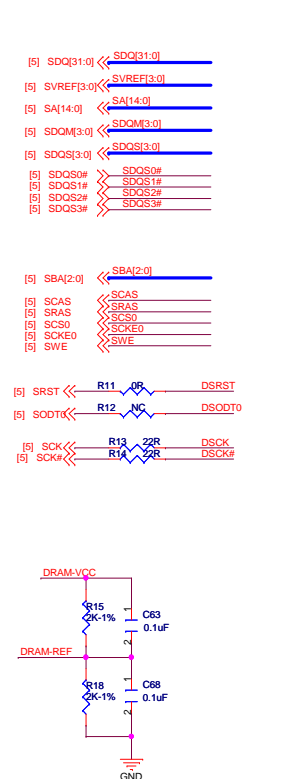




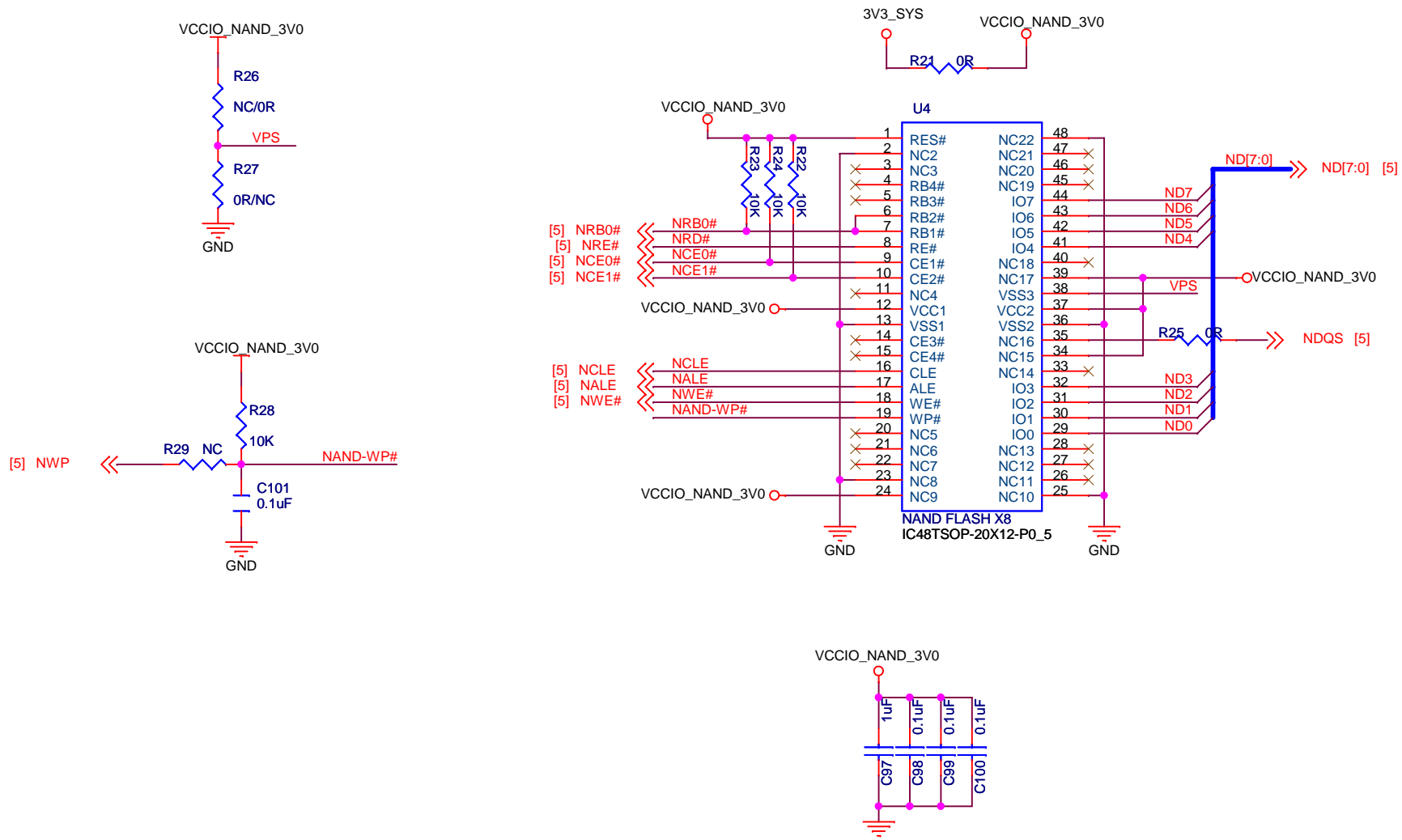
Title			A10_CPU1
Size	Document Number	Rev	
A3	<Doc>	V1.0	
Date:	Monday, January 28, 2013	Sheet	5 of 14



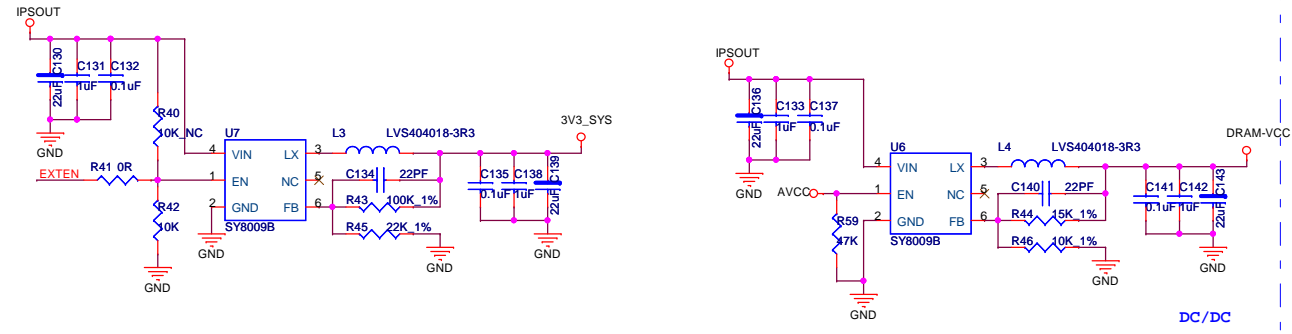
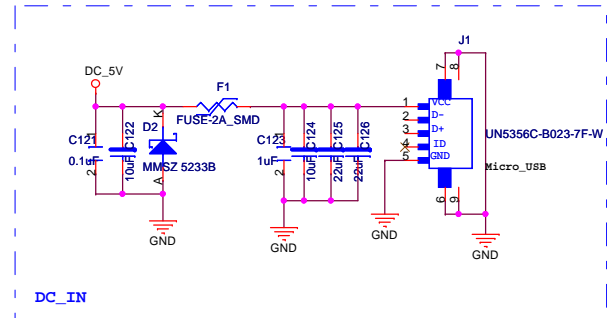
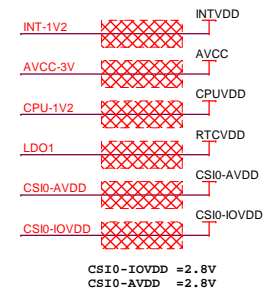
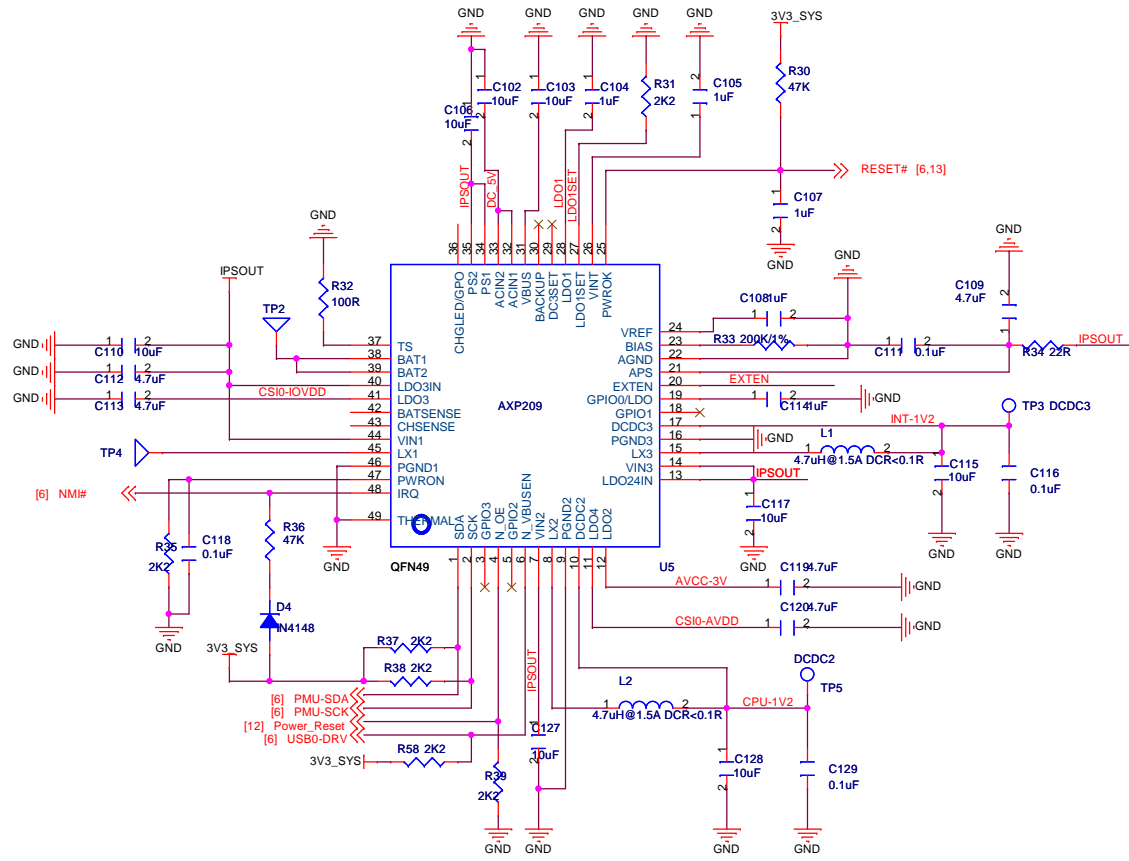
Title			
A10_CPU2			
Size	Document Number	Rev	
A3	<Doc>	V1.0	
Date:	Monday, January 28, 2013	Sheet	6 of 14



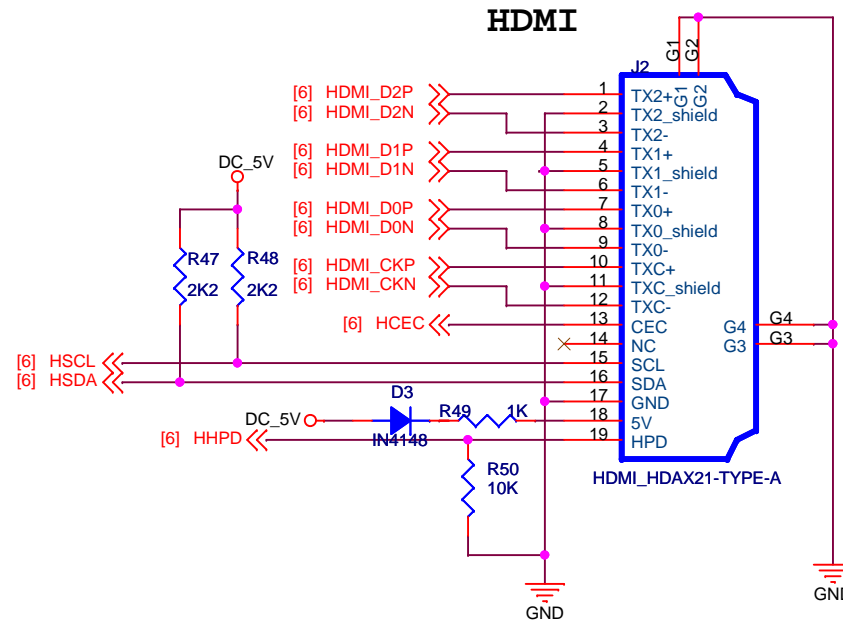
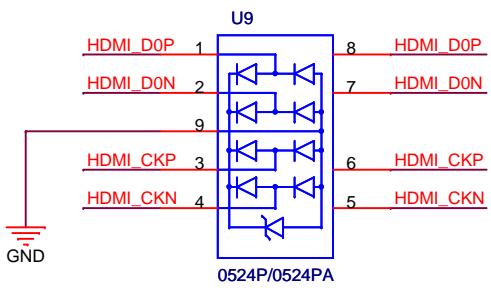
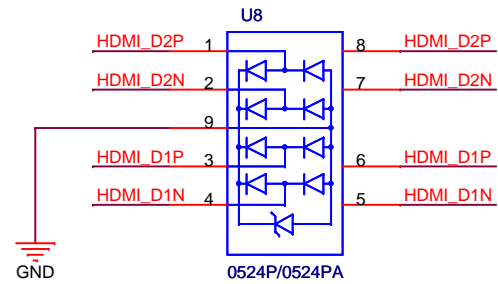
Title		
A10_DDR3_Chips		
Size	Document Number	Rev
Custom-Doc		V1.0
Date:	Monday, January 28, 2013	Sheet 7 of 14



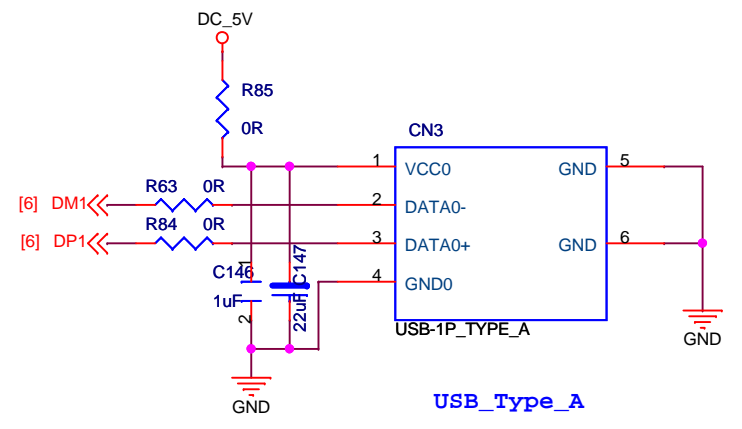
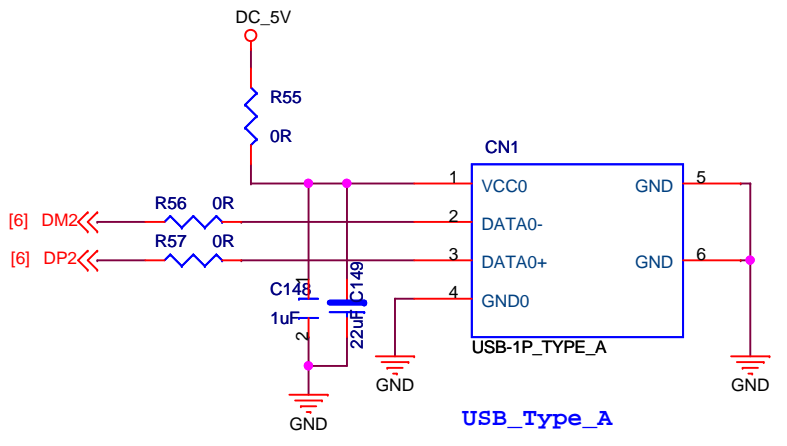
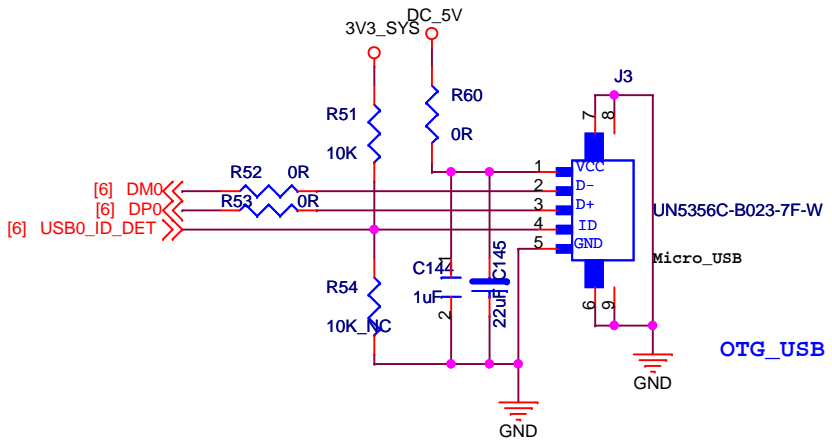
Title		
A10_NAND		
Size	Document Number	Rev
A4	<Doc>	V1.0
Date:	Monday, January 28, 2013	Sheet 8 of 14



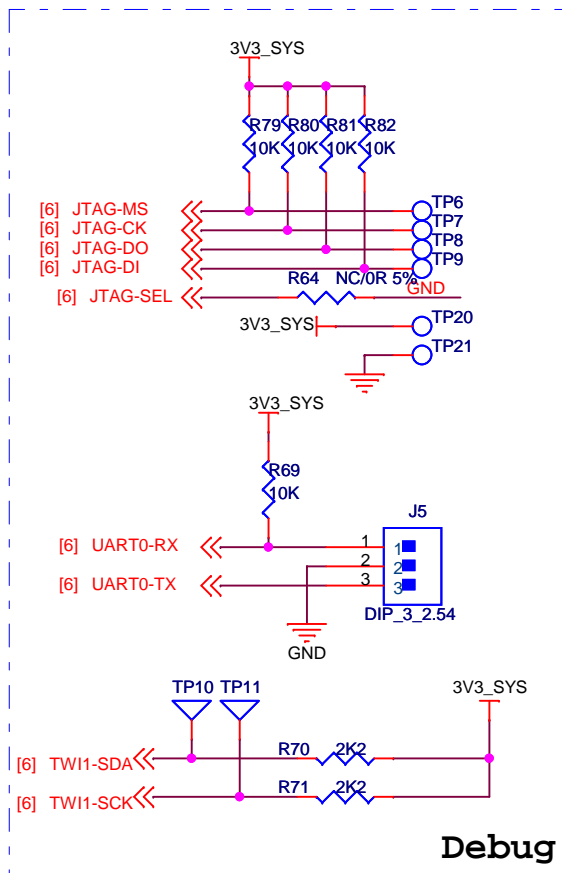
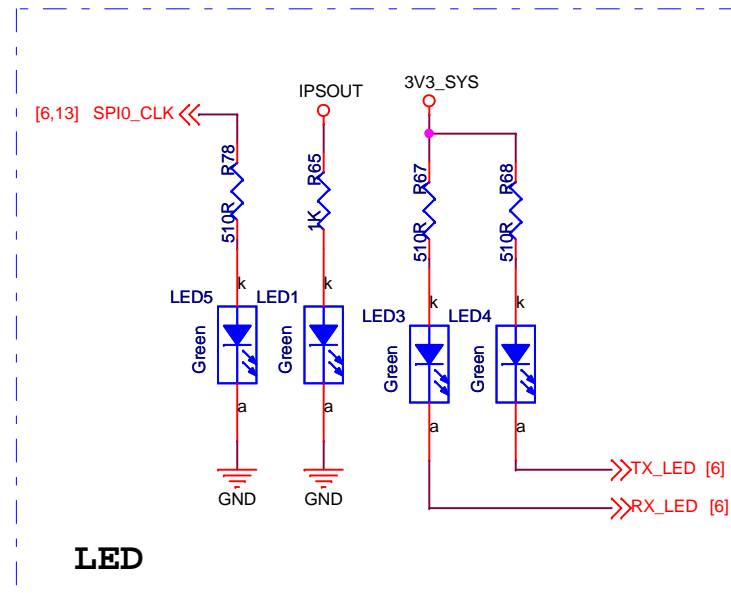
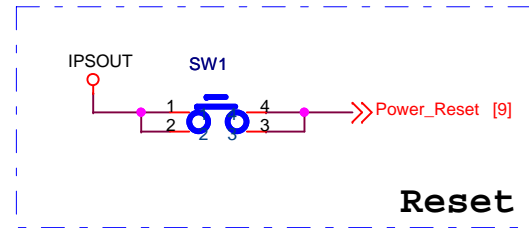
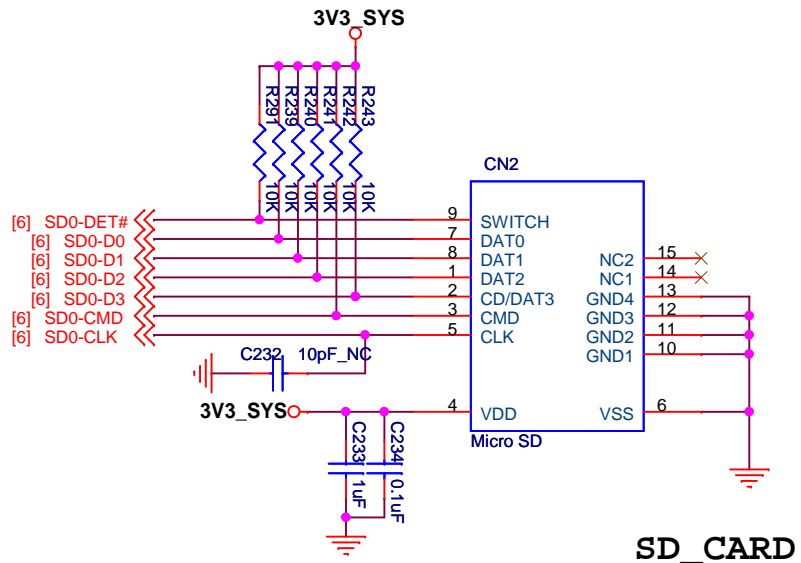
Title		
A10_Power		
Size	Document Number	Rev
A3	<Doc>	V1.0
Date:	Monday, January 28, 2013	Sheet 9 of 14



Title		
A10_HDMI		
Size	Document Number	Rev
A4	<Doc>	V1.0
Date:	Monday, January 28, 2013	Sheet 10 of 14

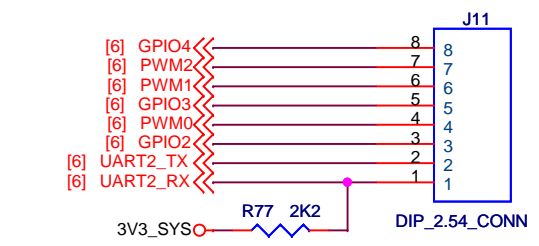
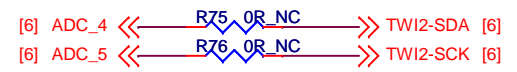
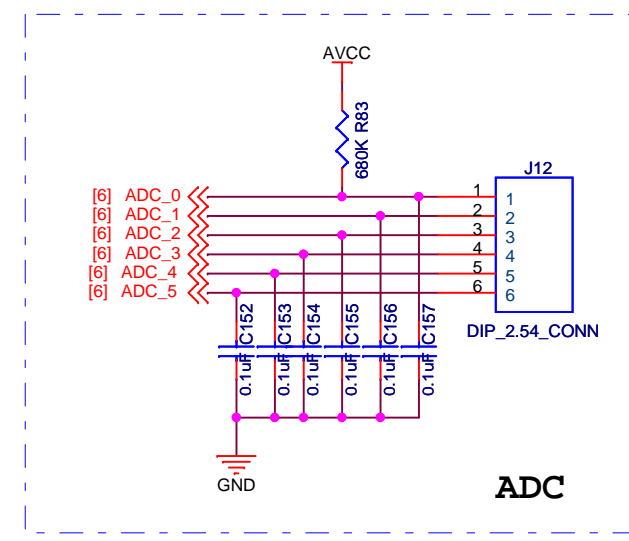
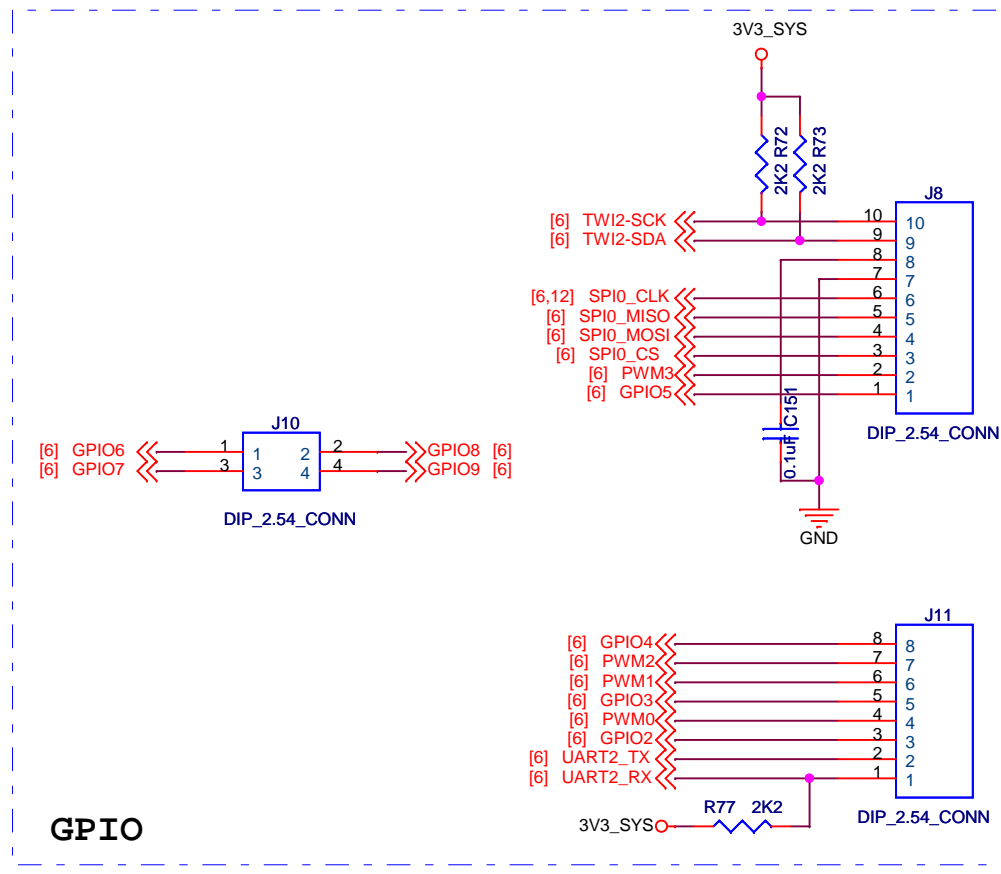
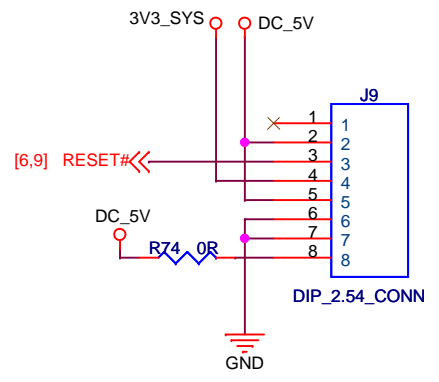
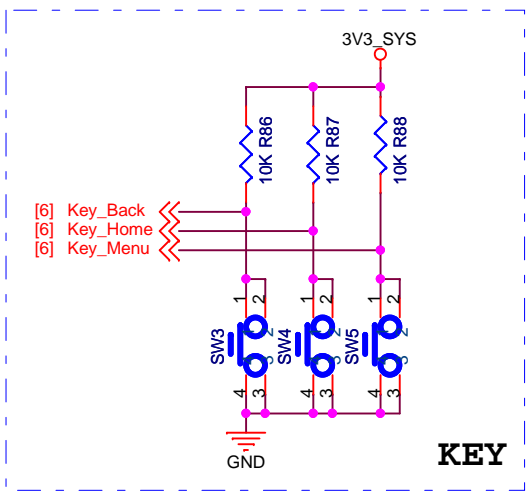
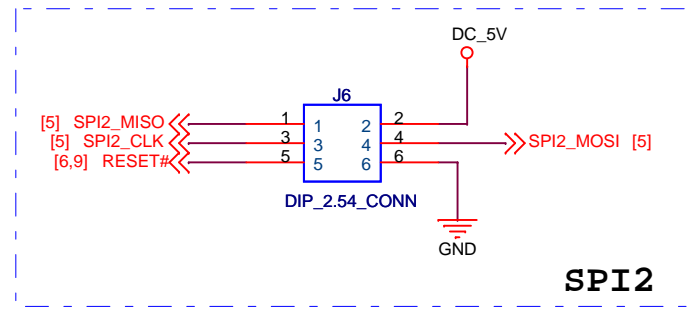
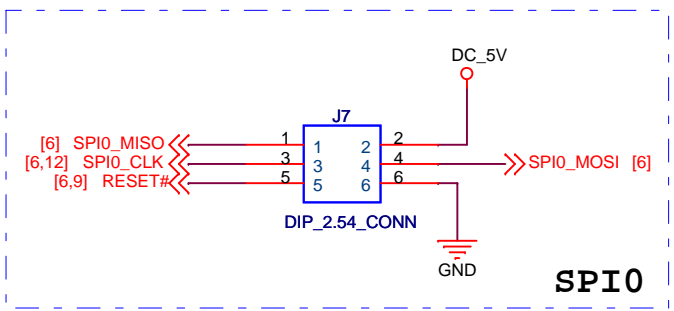


Title		
A10_Wifi/USB		
Size	Document Number	Rev
A4	<Doc>	V1.0
Date:	Monday, January 28, 2013	Sheet 11 of 14

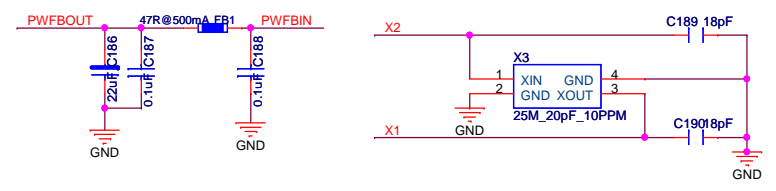
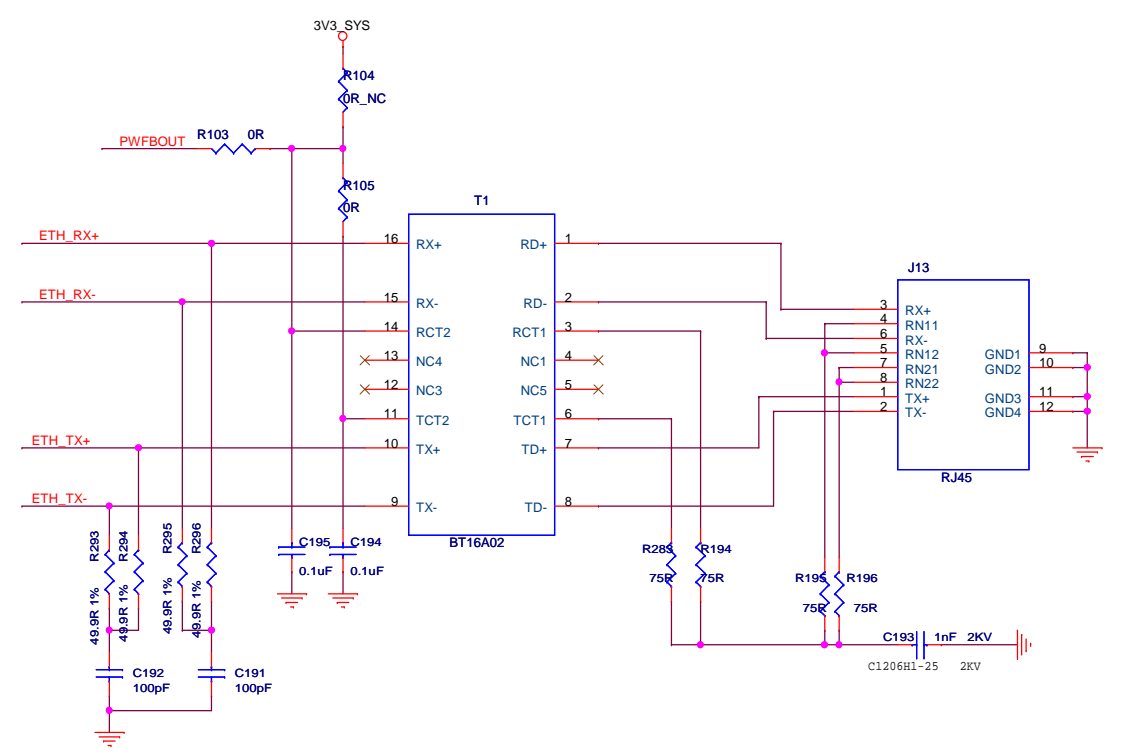
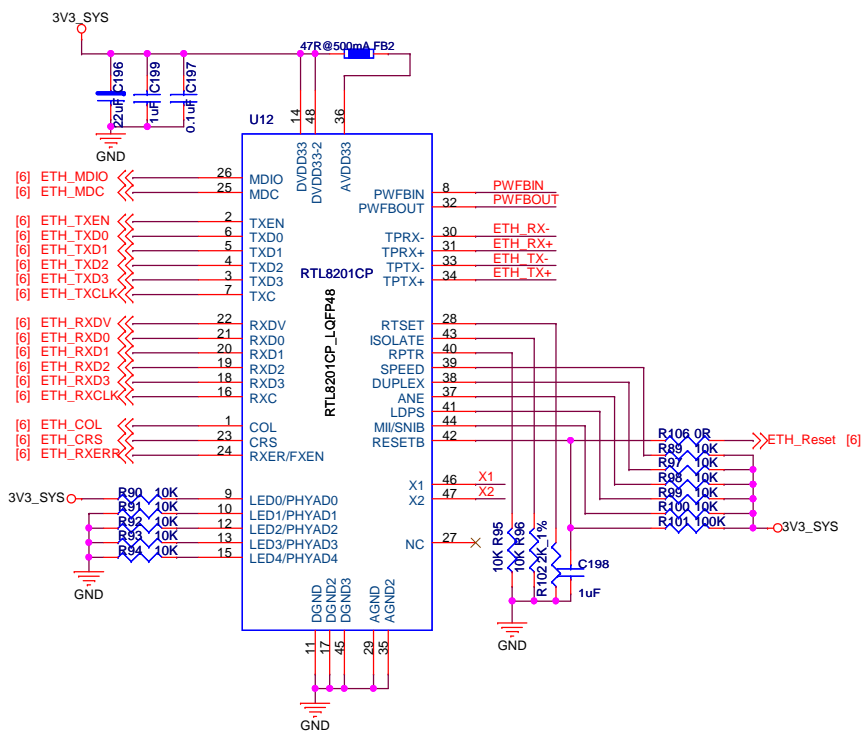


- × ○ HS1
- × ○ HS2
- × ○ HS3
- × ○ HS4

Title		
A10_SD/Debug		
Size	Document Number	Rev
A4	<Doc>	V1.0
Date:	Monday, January 28, 2013	Sheet 12 of 14



Title		
A10_CONN		
Size	Document Number	Rev
A4	<Doc>	V1.0
Date:	Monday, January 28, 2013	Sheet 13 of 14



Title		
A10_Ethernet		
Size	Document Number	Rev
B	<Doc>	V1.0
Date:	Monday, January 28, 2013	Sheet 14 of 14