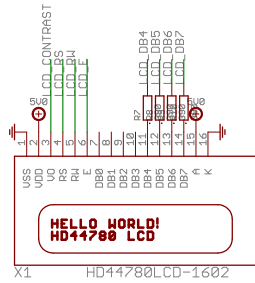
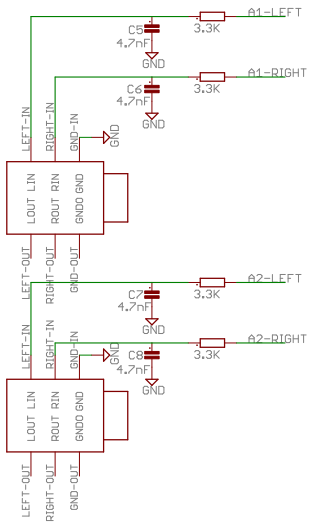
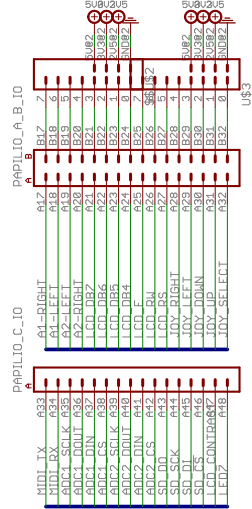


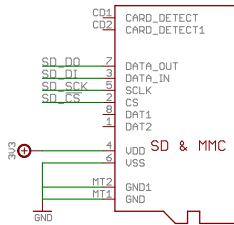
# Audio



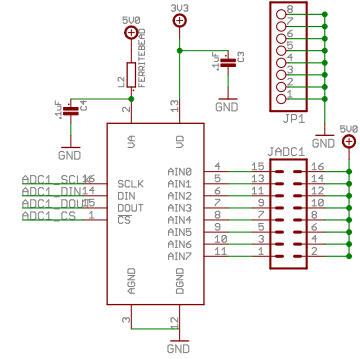
X1 HD44780LCD-1602



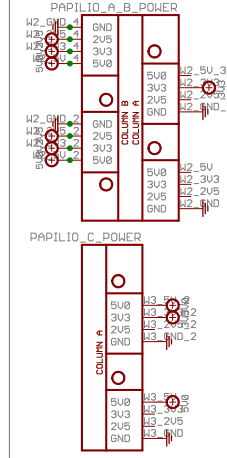
# uSD Card



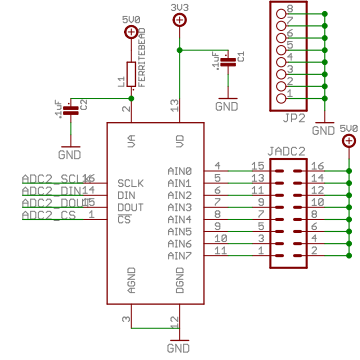
# SPI ADC2



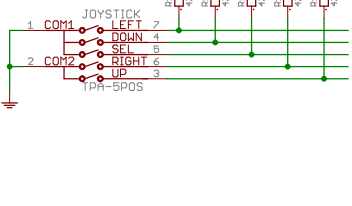
# Power



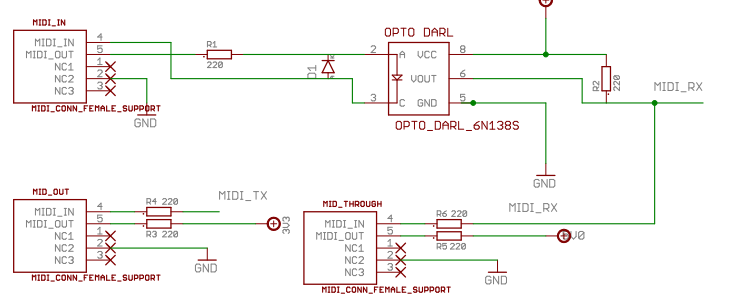
# SPI ADC1



# Joystick



# MIDI



This work is licensed under the Creative Commons Attribution License.  
To view a copy of this license, visit <http://creativecommons.org/>; or, (b) send a letter to Creative Commons, 171 2nd Street, Suite 300, San Francisco, California, 94105, USA.

Copyright 2012 Gadget Factory, LLC  
See more details at [www.GadgetFactory.net](http://www.GadgetFactory.net)