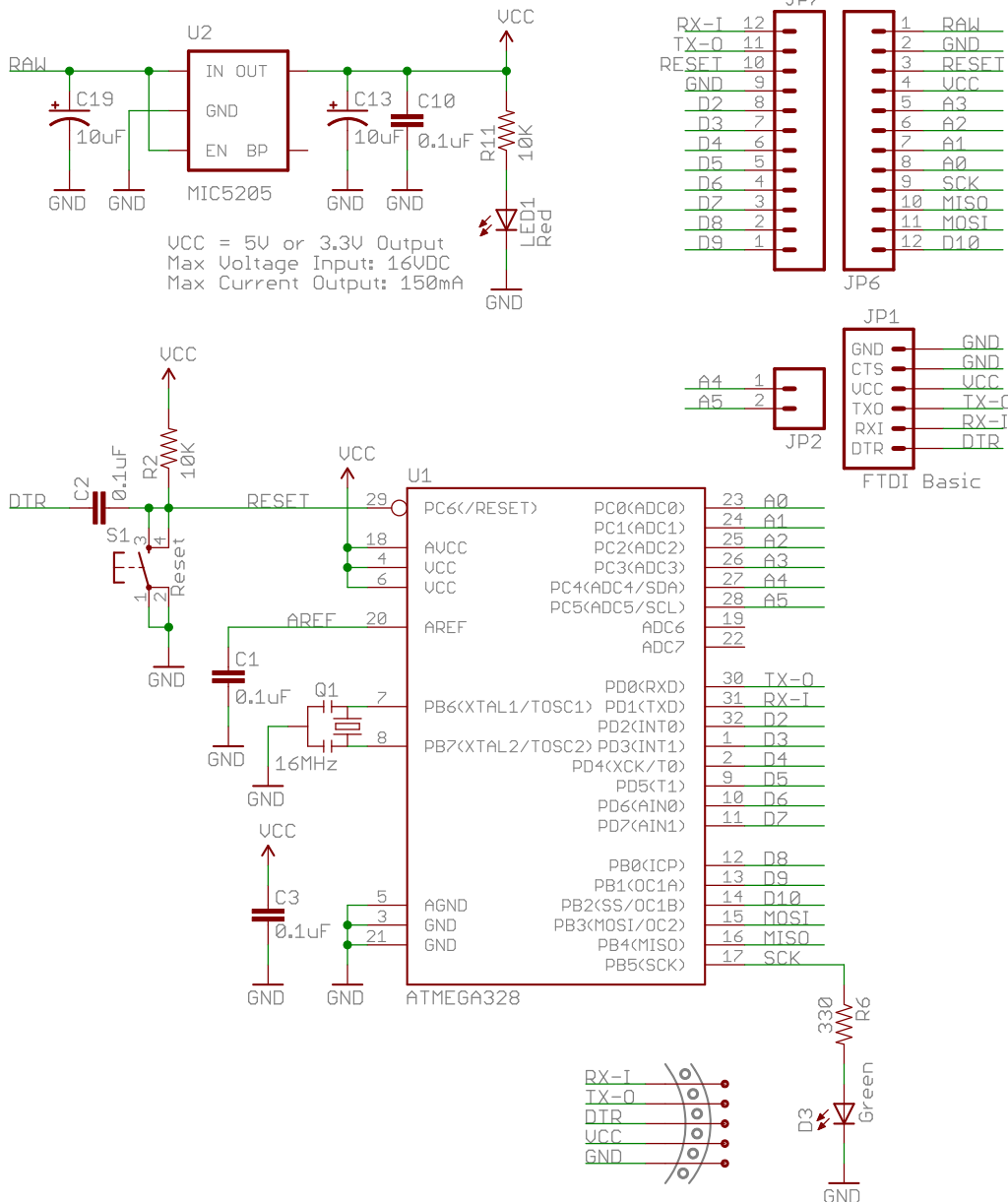
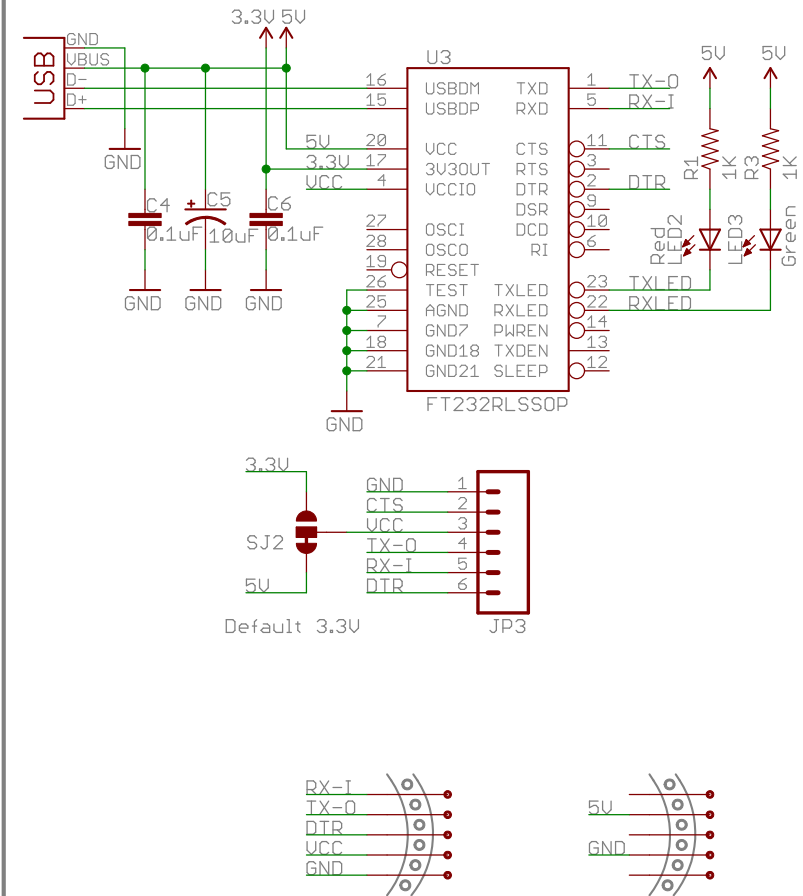


Arduino Pro Mini



UCC = 5V or 3.3V Output
 Max Voltage Input: 16VDC
 Max Current Output: 150mA

FTDI Basic

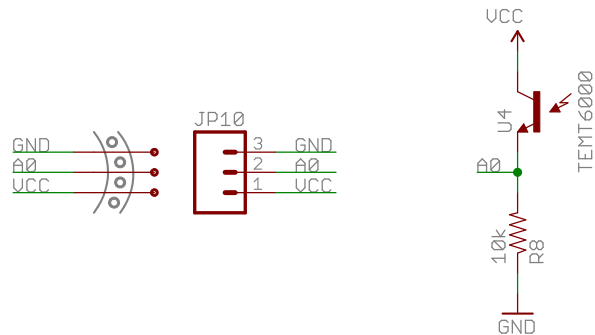
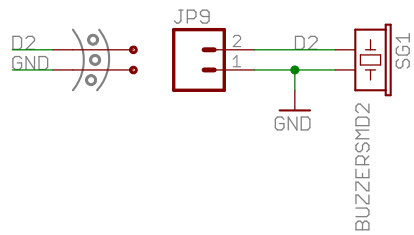
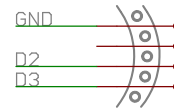
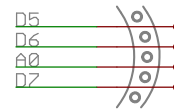
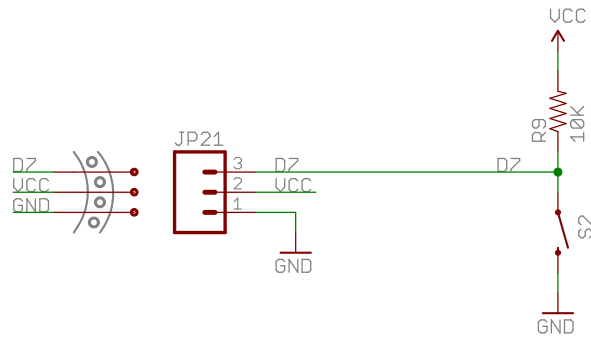
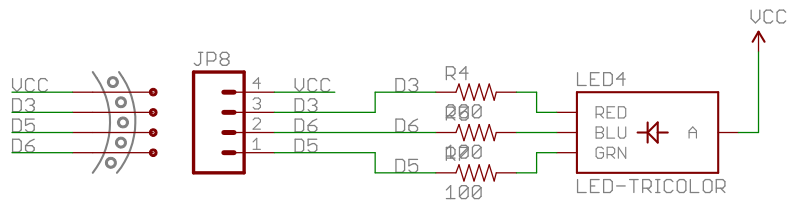


Default 3.3V

		SFE
TITLE: ProtoSnap-v14a		SFE SFE
Document Number:		REV:
Date: not saved!		Sheet: 1/2

Released under the Creative Commons Attribution Share-Alike 3.0 License
<http://creativecommons.org/licenses/by-sa/3.0>

Original Arduino Design by Team Arduino
 SparkCard design by Jim Lindblom @ SparkFun Electronics



Released under the Creative Commons Attribution Share-Alike 3.0 License
<http://creativecommons.org/licenses/by-sa/3.0>

Original Arduino Design by Team Arduino
 SparkCard design by Jim Lindblom @ SparkFun Electronics

TITLE: ProtoSnap-v14a	
Document Number:	REV:
Date: not saved!	Sheet: 2/2