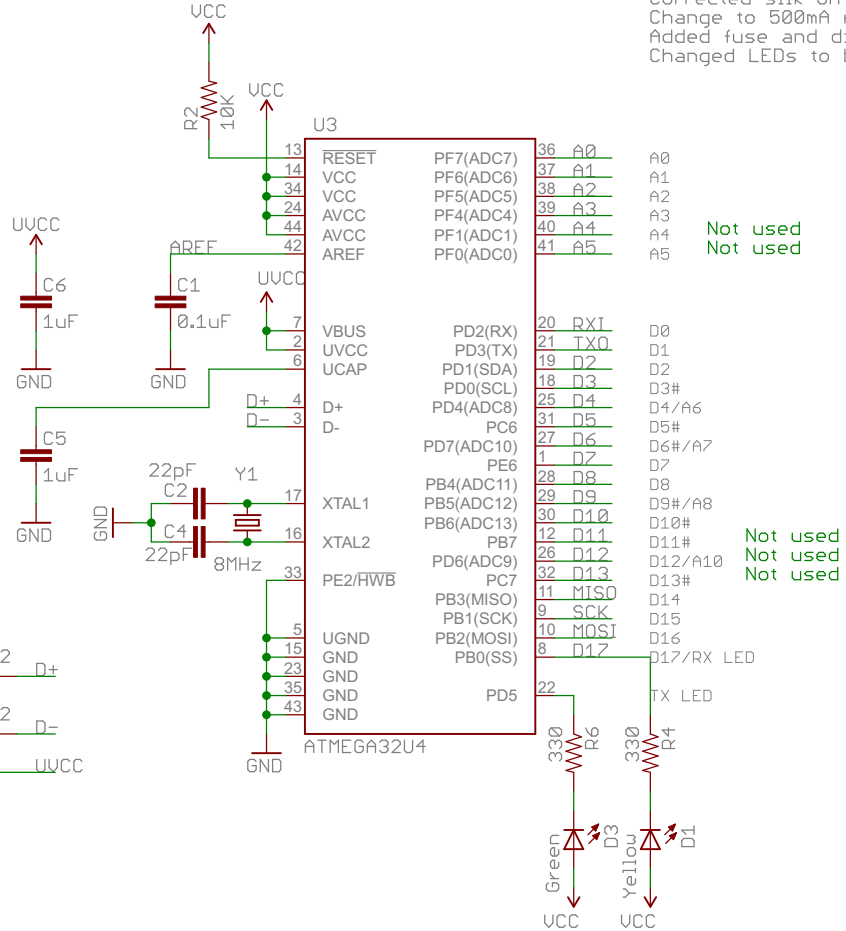
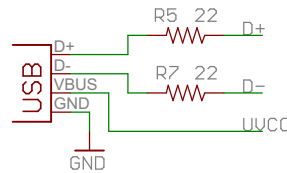
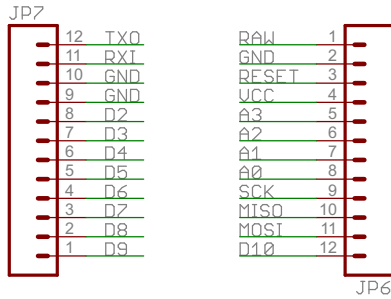


Board is marked with combination of resonator frequency and regulator voltage.



Changes on v1.1:  
 Corrected silk on D14  
 Change to 500mA regulator  
 Added fuse and diode protection  
 Changed LEDs to be tied to UCC

Not used  
 Not used

Not used  
 Not used  
 Not used

Released under the Creative Commons Attribution Share-Alike 3.0 License  
<http://creativecommons.org/licenses/by-sa/3.0>  
 Design by:  
 Original Arduino Mini Design by Team Arduino  
 Arduino Pro Mini Design by Spark Fun Electronics  
 Pro Micro Design by Spark Fun Electronics



⊗	
⊗	
TITLE: Pro-Micro-v11	SFE
Document Number:	REV:
Date: not saved!	Sheet: 1/1