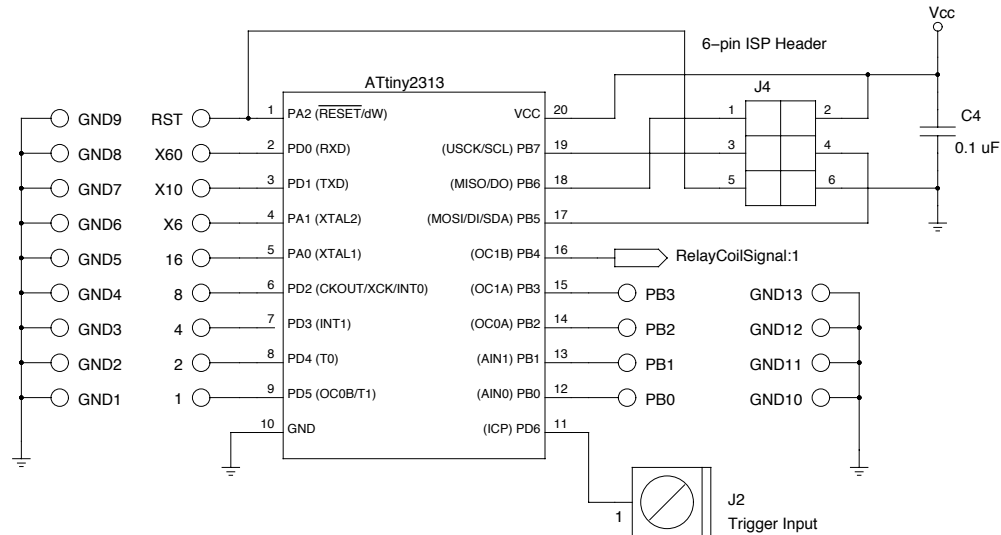


Timing jumpers/switches

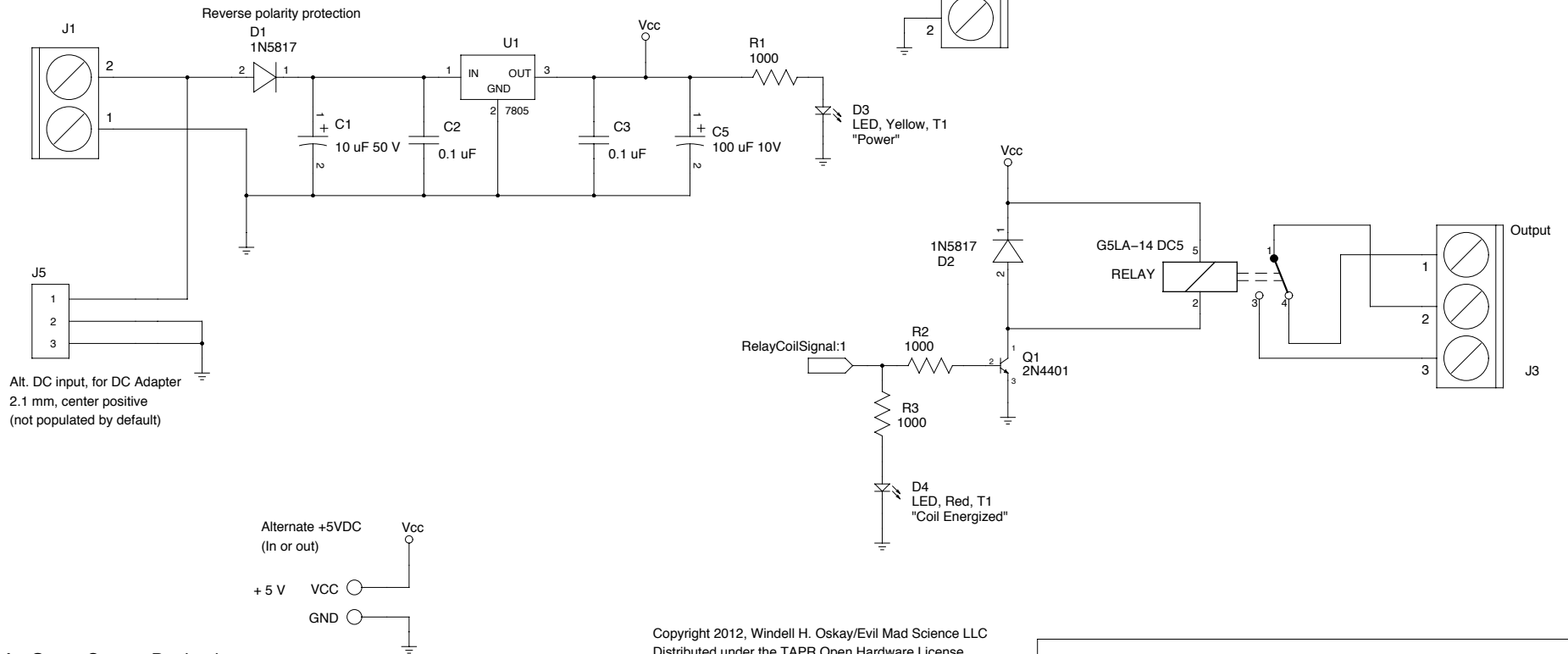
You can set the time anywhere from 1 s – 31 h:

- 1 s – 31 s
- 6 s – 186 s (~3 m)
- 10 s – 310 s (~5.1 m)
- 1 m – 31 m
- 6 m – 186 m (~3 h)
- 10 m – 310 m (~5.1 h)
- 1 h – 31 h

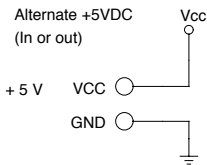
(Timing only good to +/- 10% at room temperature, and can vary significantly with temperature, too.)



DC input: 7.5–15 V
Min capacity: 125 mA



Alt. DC input, for DC Adapter
2.1 mm, center positive
(not populated by default)



An Open-Source Design by
Evil Mad Scientist Laboratories
www.evilmadscientist.com

Copyright 2012, Windell H. Oskay/Evil Mad Science LLC
Distributed under the TAPR Open Hardware License
www.tapr.org/OHL

Based on an idea by Nemo Gould and Christopher T. Palmer
www.nemomatic.com / www.ctpdesign.com

TITLE	Art Controller – A microcontroller driven timer relay module		
FILE:	1	OF	1
REVISION:	A, May 2012		
DRAWN BY:	Windell H. Oskay		