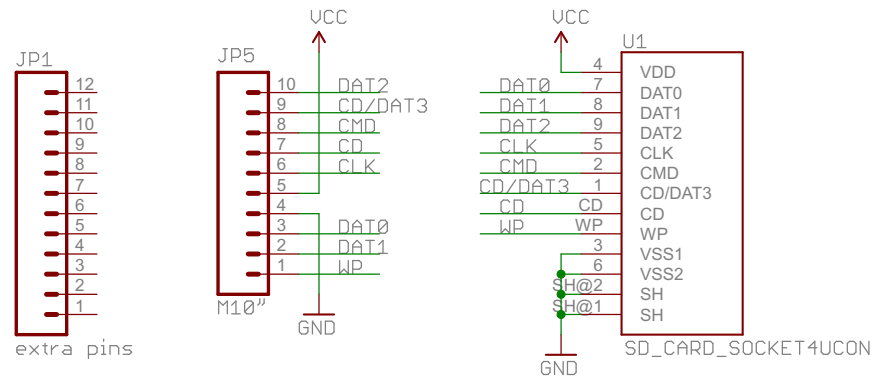


Revision Notes:  
v20: new SD socket, extra pin holes, standoffs



Released under the Creative Commons Attribution Share-Alike 3.0 License  
<http://creativecommons.org/licenses/by-sa/3.0>  
Design by: A.Weiss



SFE		⊗ ⊗	
TITLE: SD_MMC Breakout-v20			
Document Number:			REV:
Date: 7/16/2012 10:10:15 PM			Sheet: 1/1