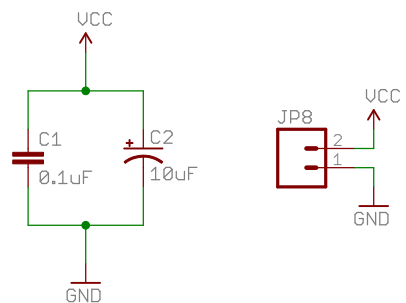
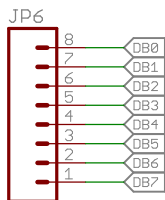


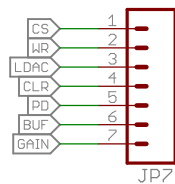
Power Circuit



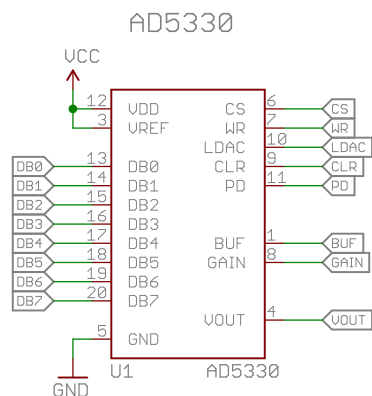
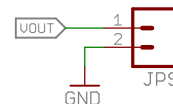
Data Bus



DAC Control



Analog Output



SFE



Released under the Creative Commons Attribution Share-Alike 3.0 License
<http://creativecommons.org/licenses/by-sa/3.0>

TITLE: AD5330_Breakout

Design by: Ryan Owens	Redesign by: Eric O.	REV: v12
--------------------------	-------------------------	-------------

Date: 10/21/2013 10:48:28 AM	Sheet: 1/1
------------------------------	------------